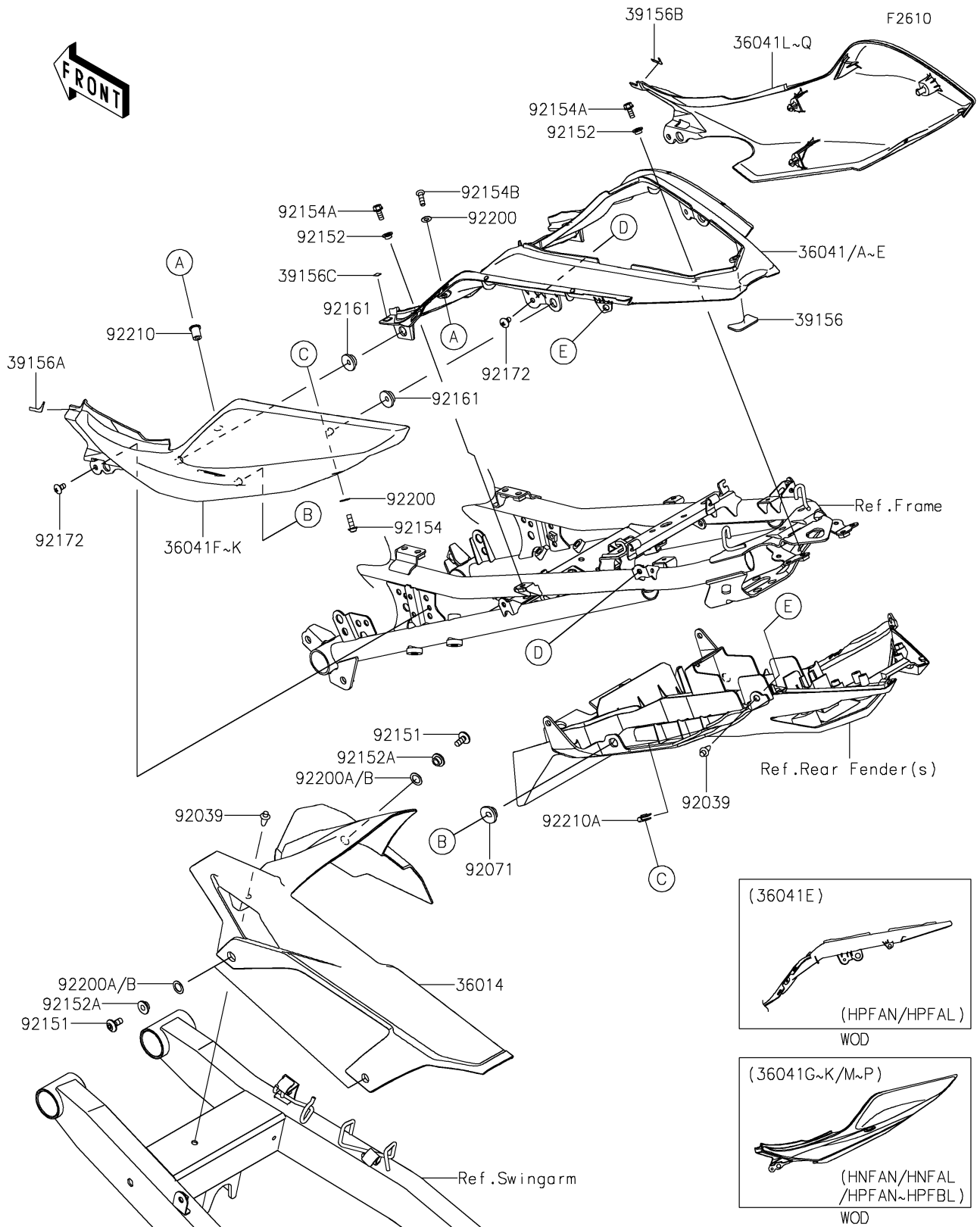


# 2022 NINJA® 400 PARTS DIAGRAM

## Side Covers/Chain Cover



# 2022 NINJA® 400 PARTS LIST

Side Covers/Chain Cover

ITEM NAME	PART NUMBER	QUANTITY
-----------	-------------	----------