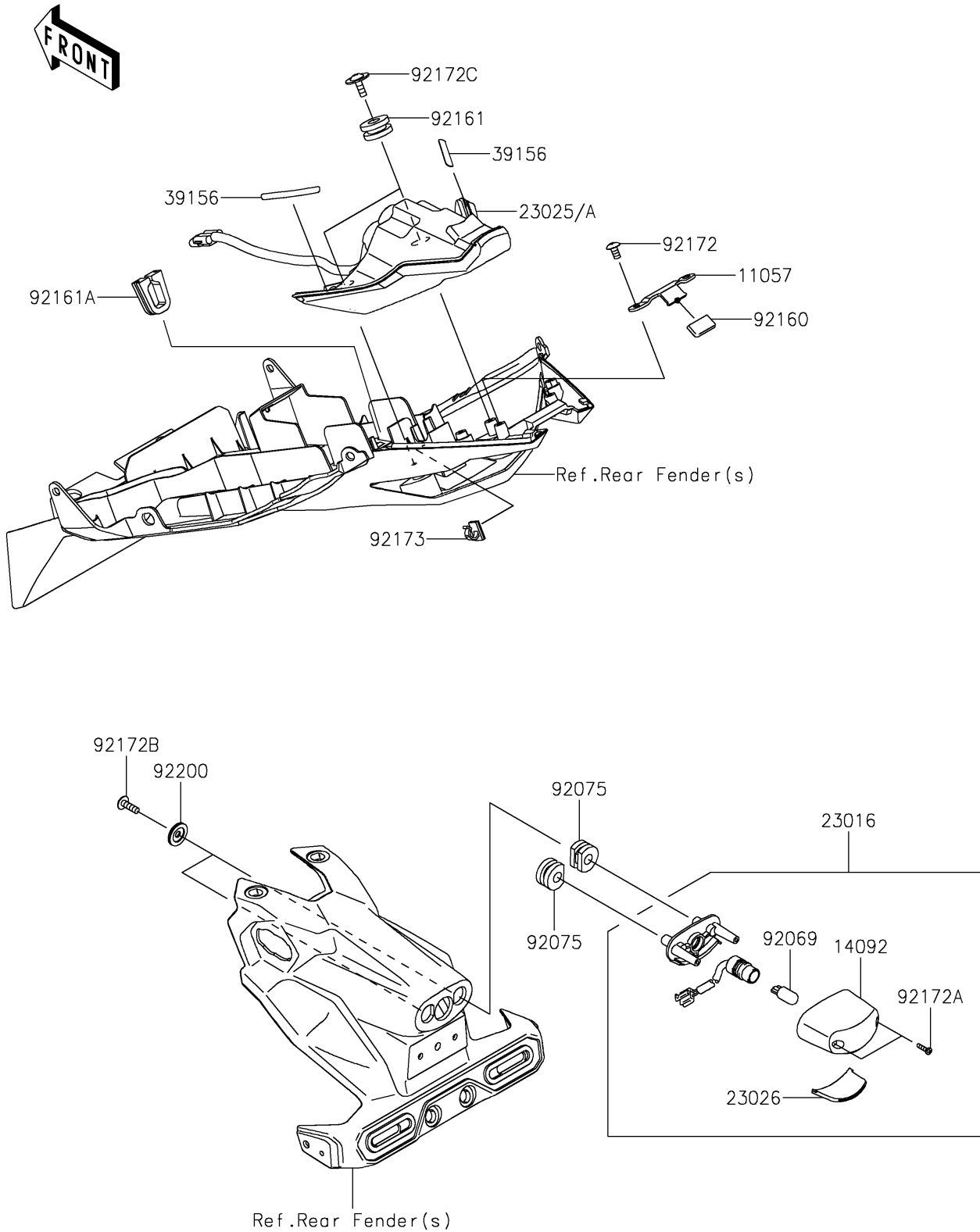


# 2022 NINJA® 400 PARTS DIAGRAM

Taillight(s)

F2720



## 2022 NINJA® 400 PARTS LIST

### Taillight(s)

ITEM NAME	PART NUMBER	QUANTITY
BRACKET (Ref # 11057)	11057-1214	1
COVER,LICENSE LAMP (Ref # 14092)	14092-0001	1
LAMP-ASSY,LICENCE (Ref # 23016)	23016-0657	1
LAMP-TAIL,LED (Ref # 23025)	23025-0385	1
LENS,LICENCE LAMP (Ref # 23026)	23026-0035	1
PAD,6X50 (Ref # 39156)	39156-2421	2
BULB,12V 5W (Ref # 92069)	92069-1016	1
DAMPER (Ref # 92075)	92075-1870	2
DAMPER (Ref # 92160)	92160-1190	1
DAMPER (Ref # 92161)	92161-0163	2
DAMPER,RR FENDER (Ref # 92161A)	92161-1984	1
SCREW,TAPPING,5X10 (Ref # 92172)	92172-0262	2
SCREW,TAPPING,2.9X13 (Ref # 92172A)	92172-0343	2
SCREW,TAPPING,5X16 (Ref # 92172B)	92172-0427	2
SCREW,5X16 (Ref # 92172C)	92172-1215	2
CLAMP,CLIP (Ref # 92173)	92173-1783	1
WASHER,5.5X20X2 (Ref # 92200)	92200-1971	2