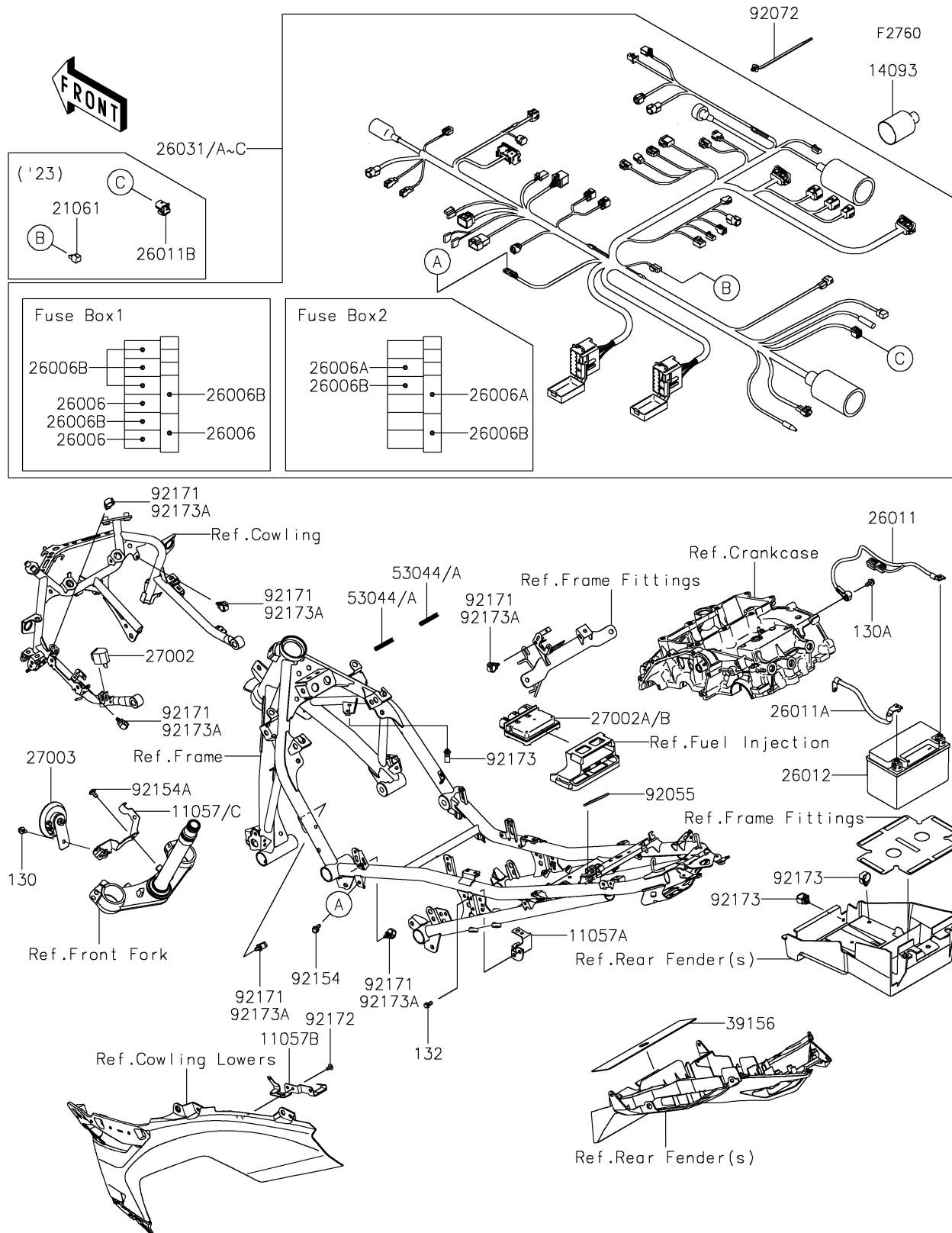


2022 NINJA® 400 PARTS DIAGRAM

Chassis Electrical Equipment



2022 NINJA® 400 PARTS LIST

Chassis Electrical Equipment

ITEM NAME	PART NUMBER	QUANTITY
BRACKET,HORN (Ref # 11057)	11057-1219	1
BRACKET,MAGNETIC SW. (Ref # 11057A)	11057-1225	1
BRACKET,FUSE BOX (Ref # 11057B)	11057-1771	1
COVER,HARNESS (Ref # 14093)	14093-0720	1
FUSE,MINI BLADE,15A,BLUE (Ref # 26006)	26006-0001	3
FUSE,MINI BLADE,5A,TAN (Ref # 26006A)	26006-1077	2
FUSE,MINI BLADE,10A,RED (Ref # 26006B)	26006-1078	7
WIRE-LEAD,BATTERY(-) (Ref # 26011)	26011-0975	1
WIRE-LEAD,BATTERY(+) (Ref # 26011A)	26011-0977	1
BATTERY,FTX9-BS,12V 8AH (Ref # 26012)	26012-1436	1
HARNESS,MAIN (Ref # 26031)	26031-2666	1
HARNESS,MAIN (Ref # 26031A)	26031-2668	1
RELAY-ASSY,TURN SIGNAL (Ref # 27002)	27002-0031	1
RELAY-ASSY (Ref # 27002A)	27002-0050	1
HORN (Ref # 27003)	27003-0111	1
PAD,60X250X1 (Ref # 39156)	39156-2219	1
TRIM (Ref # 53044)	53044-0580	2
RING-O,50MM (Ref # 92055)	92055-0954	1
BAND,OS170-FT7(BLACK) (Ref # 92072)	92072-1414	5
BOLT,FLANGED,6X16 (Ref # 92154)	92154-0551	1
BOLT,SOCKET,6X12 (Ref # 92154A)	92154-2355	2
CLAMP,13MM DIA. (Ref # 92171)	92171-1415	6
SCREW,TAPPING,5X10 (Ref # 92172)	92172-0262	2
CLAMP,HOLDER CLIP (Ref # 92173)	92173-0868	3
BOLT-FLANGED,6X10 (Ref # 130)	130BA0610	1
BOLT-FLANGED,6X12 (Ref # 130A)	130BA0612	1
BOLT-FLANGED-SMALL,6X12 (Ref # 132)	132BA0612	1