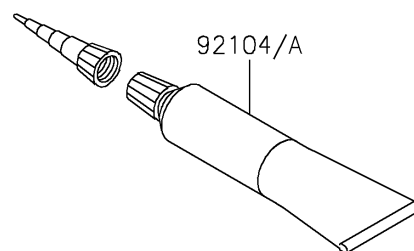
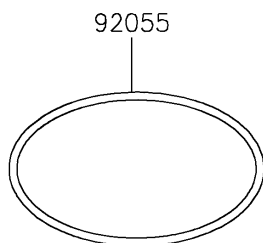
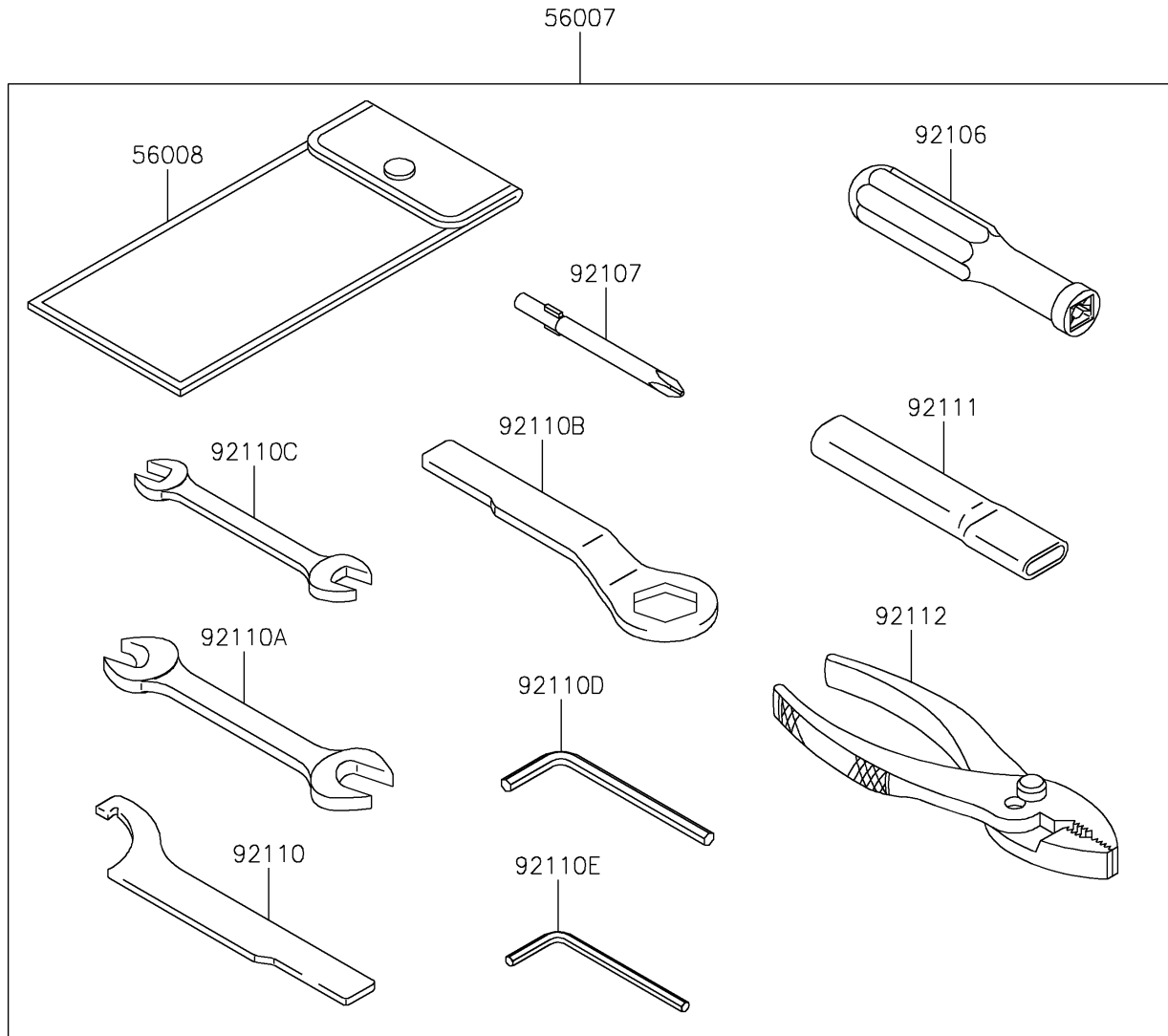


2022 NINJA® 400 PARTS DIAGRAM

Owner's Tools(HNFNN-HNFAL)

F2810



2022 NINJA® 400 PARTS LIST

Owner's Tools(HNFNN-HNFAL)

ITEM NAME	PART NUMBER	QUANTITY
-----------	-------------	----------