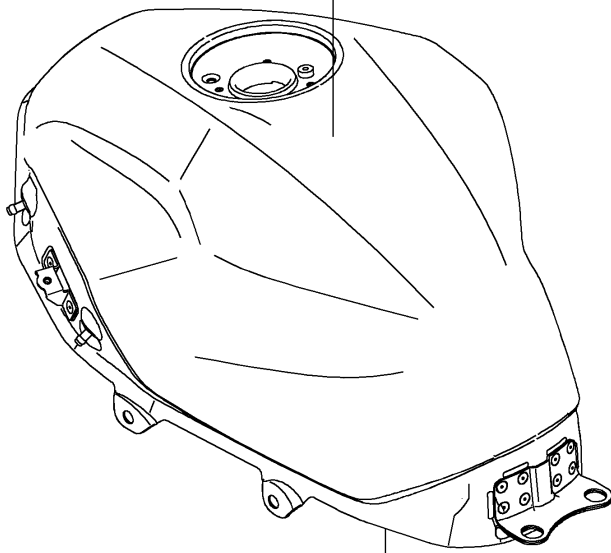
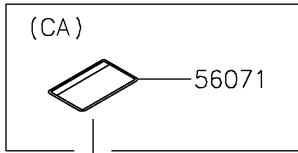


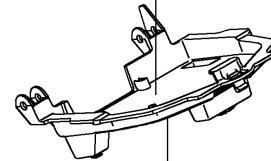
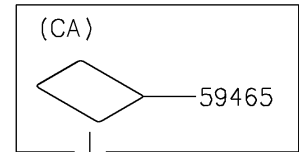
# 2022 NINJA® 400 PARTS DIAGRAM

Labels

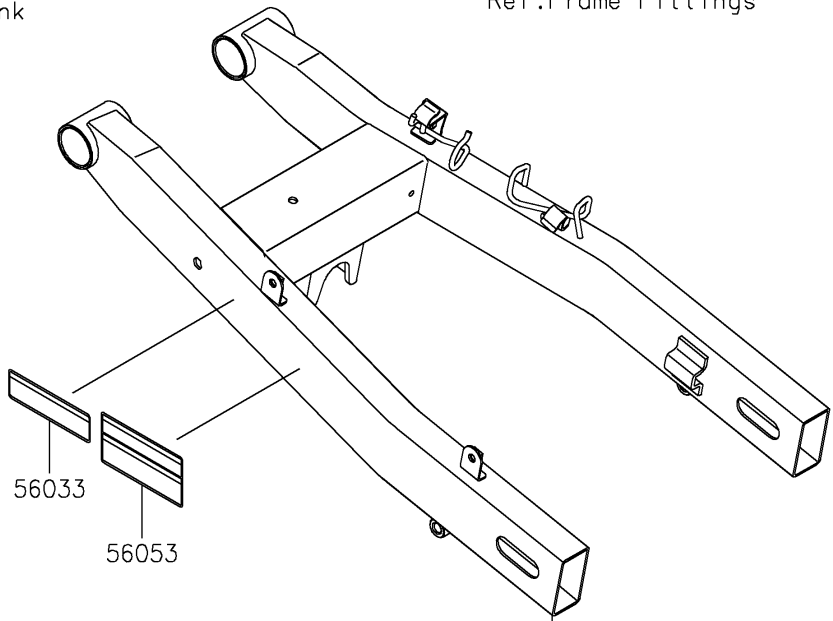
F2860



Ref. Fuel Tank



Ref. Frame Fittings



56033

56053

Ref. Swingarm

# 2022 NINJA® 400 PARTS LIST

Labels

ITEM NAME	PART NUMBER	QUANTITY
-----------	-------------	----------