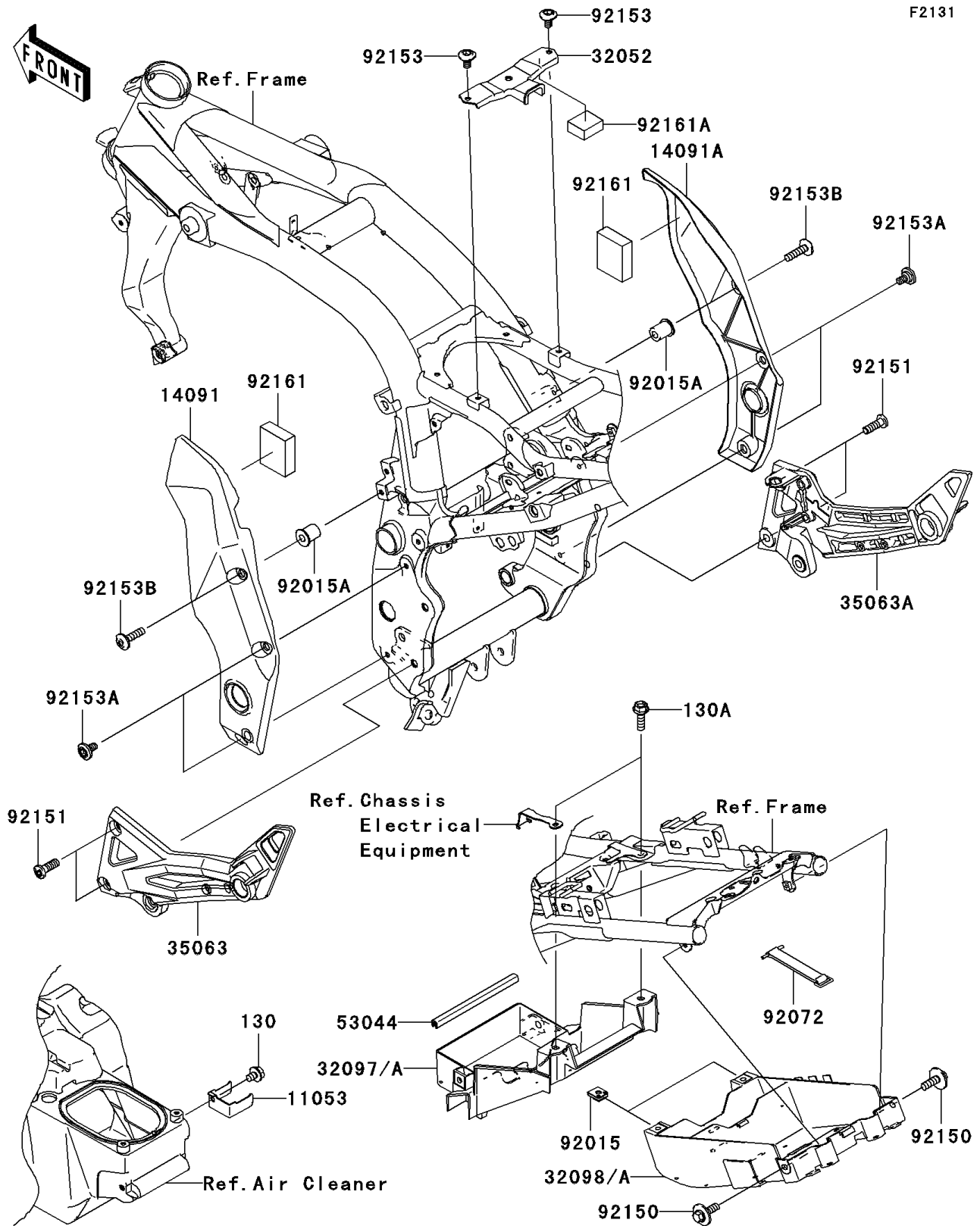


2003 Z1000 PARTS DIAGRAM

Frame Fittings



2003 Z1000 PARTS LIST

Frame Fittings

ITEM NAME	PART NUMBER	QUANTITY
BOLT-FLANGED,6X8 (Ref # 130)	130J0608	1
BOLT-FLANGED (Ref # 130A)	130J0620	2
BRACKET,MAGNETIC SWITCH (Ref # 11053)	11053-0138	1
COVER,PIVOT,LH,P.SILVER (Ref # 14091)	14091-1547-458	1
COVER,PIVOT,RH,P.SILVER (Ref # 14091A)	14091-1548-458	1
BRACKET-TANK,FUEL (Ref # 32052)	32052-1597	1
CASE-BATTERY (Ref # 32097A)	32097-1198	1
CASE-TOOL (Ref # 32098)	32098-0002	1
STAY,STEP HOLDER,LH,P.SILVER (Ref # 35063)	35063-1262-458	1
STAY,STEP HOLDER,RH,P.SILVER (Ref # 35063A)	35063-1263-458	1
TRIM,L=150 (Ref # 53044)	53044-1303	1
NUT,CLAMP,6MM (Ref # 92015)	92015-1678	2
NUT (Ref # 92015A)	92015-1700	2
BAND,TOOL (Ref # 92072)	92072-1349	1
BOLT,6X14 (Ref # 92150)	92150-1133	2
BOLT,SOCKET,10X30 (Ref # 92151)	92151-1372	4
BOLT,SOCKET,6X10 (Ref # 92153)	92153-0410	2
BOLT,SOCKET,6X14 (Ref # 92153A)	92153-0422	4
BOLT,SOCKET,6X23 (Ref # 92153B)	92153-1267	2
DAMPER (Ref # 92161)	92161-0055	2
DAMPER (Ref # 92161A)	92161-0063	1