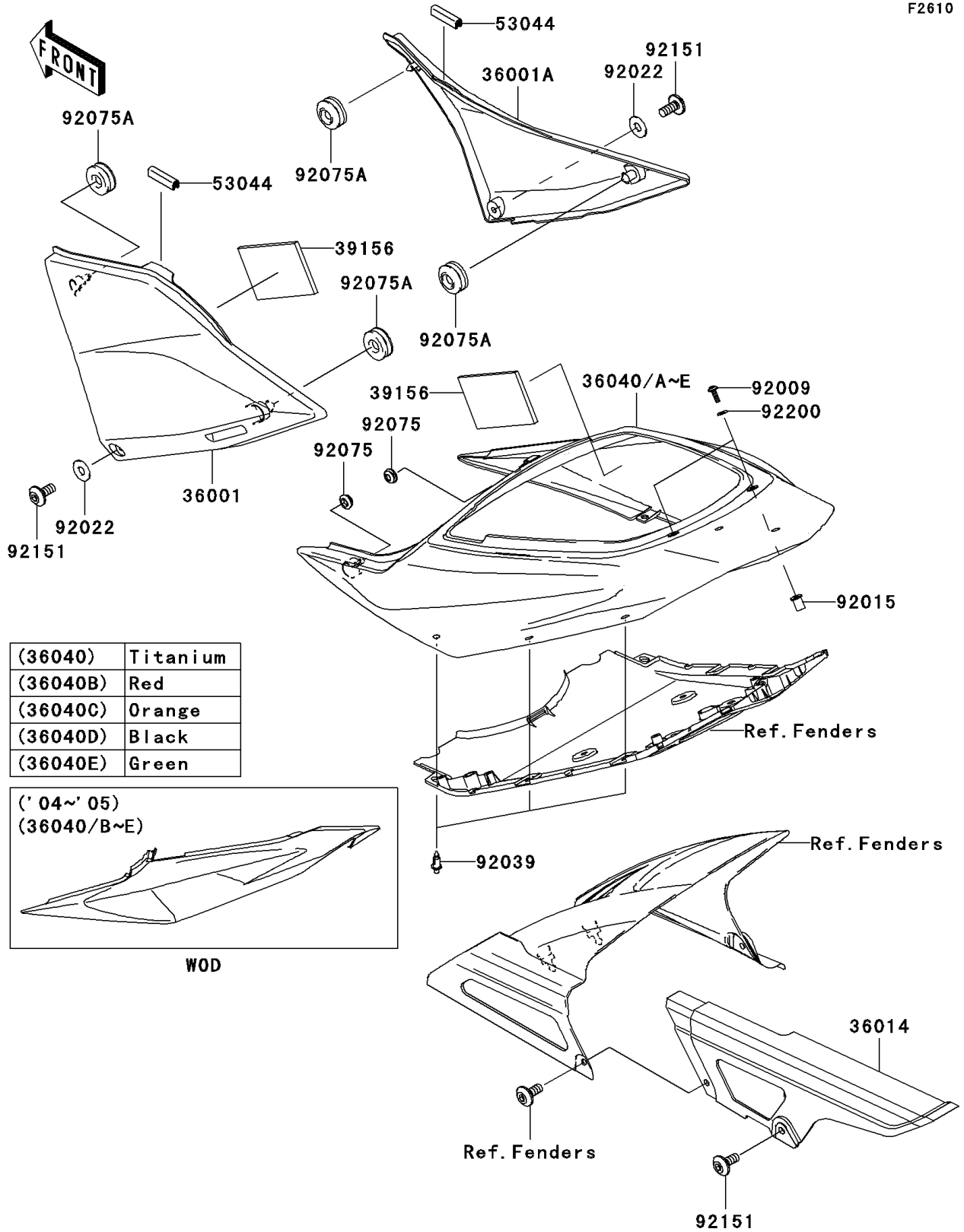


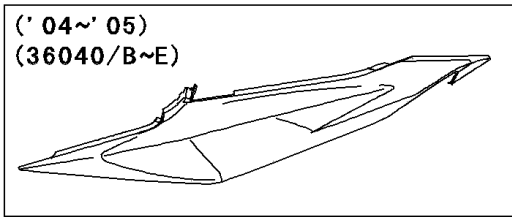
2005 Z1000 PARTS DIAGRAM

Side Covers/Chain Cover

F2610



(36040)	Titanium
(36040B)	Red
(36040C)	Orange
(36040D)	Black
(36040E)	Green



WOD

2005 Z1000 PARTS LIST

Side Covers/Chain Cover

ITEM NAME	PART NUMBER	QUANTITY
COVER-SIDE,LH,M.F.GRAYSTONE (Ref # 36001)	36001-0040-4P	1
COVER-SIDE,RH,M.F.GRAYSTONE (Ref # 36001A)	36001-0041-4P	1
CASE-CHAIN (Ref # 36014)	36014-1263	1
COVER-TAIL,TITANIUM (Ref # 36040)	36040-0012-725	1
PAD (Ref # 39156)	39156-0024	2
TRIM,L=30 (Ref # 53044)	53044-0001	2
SCREW,5X16 (Ref # 92009)	92009-1909	2
NUT,WELL,5MM (Ref # 92015)	92015-1757	2
WASHER,6.5X16X1 (Ref # 92022)	92022-1143	2
RIVET (Ref # 92039)	92039-0015	6
DAMPER (Ref # 92075)	92075-1011	2
DAMPER (Ref # 92075A)	92075-1067	4
BOLT,SOCKET,6X14 (Ref # 92151)	92151-1654	3
WASHER,NYLON,5.3X11.5X0.5 (Ref # 92200)	92200-1480	2
COVER-TAIL,M.S.BLACK (Ref # 36040D)	36040-1065-660	1