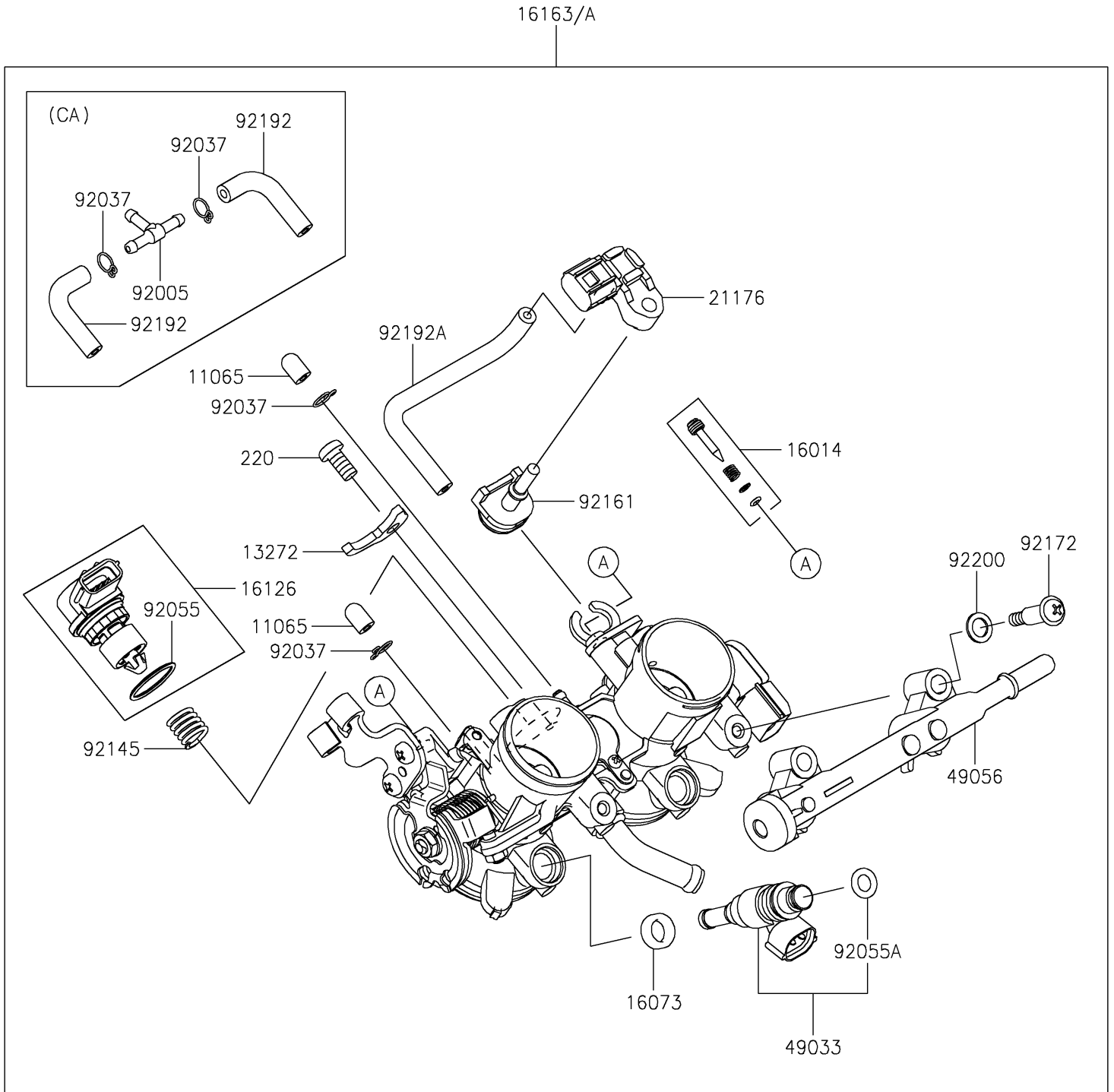


# 2022 Ninja® 400 ABS PARTS DIAGRAM

Throttle

E1510



## 2022 Ninja® 400 ABS PARTS LIST

### Throttle

| ITEM NAME                            | PART NUMBER | QUANTITY |
|--------------------------------------|-------------|----------|
| PLATE (Ref # 13272)                  | 13272-2558  | 1        |
| SCREW-PILOT AIR (Ref # 16014)        | 16014-0022  | 2        |
| INSULATOR (Ref # 16073)              | 16073-0866  | 2        |
| VALVE,ISC (Ref # 16126)              | 16126-0748  | 1        |
| THROTTLE-ASSY (Ref # 16163)          | 16163-0922  | 1        |
| SENSOR,PRESSURE (Ref # 21176)        | 21176-0111  | 1        |
| NOZZLE-INJECTION (Ref # 49033)       | 49033-0047  | 2        |
| PIPE-INJECTION (Ref # 49056)         | 49056-0050  | 1        |
| FITTING (Ref # 92005)                | 92005-1380  | 1        |
| RING-O (Ref # 92055)                 | 92055-0907  | 1        |
| RING-O,REGULATOR-FUEL (Ref # 92055A) | 92055-2187  | 2        |
| SPRING (Ref # 92145)                 | 92145-1826  | 1        |
| DAMPER (Ref # 92161)                 | 92161-0673  | 1        |
| SCREW (Ref # 92172)                  | 92172-1257  | 2        |
| TUBE,3.5X7.5X55 (Ref # 92192)        | 92192-1349  | 2        |
| TUBE (Ref # 92192A)                  | 92192-1906  | 1        |
| WASHER (Ref # 92200)                 | 92200-3807  | 2        |
| SCREW-PAN-CROS,6X12 (Ref # 220)      | 220AA0612   | 1        |