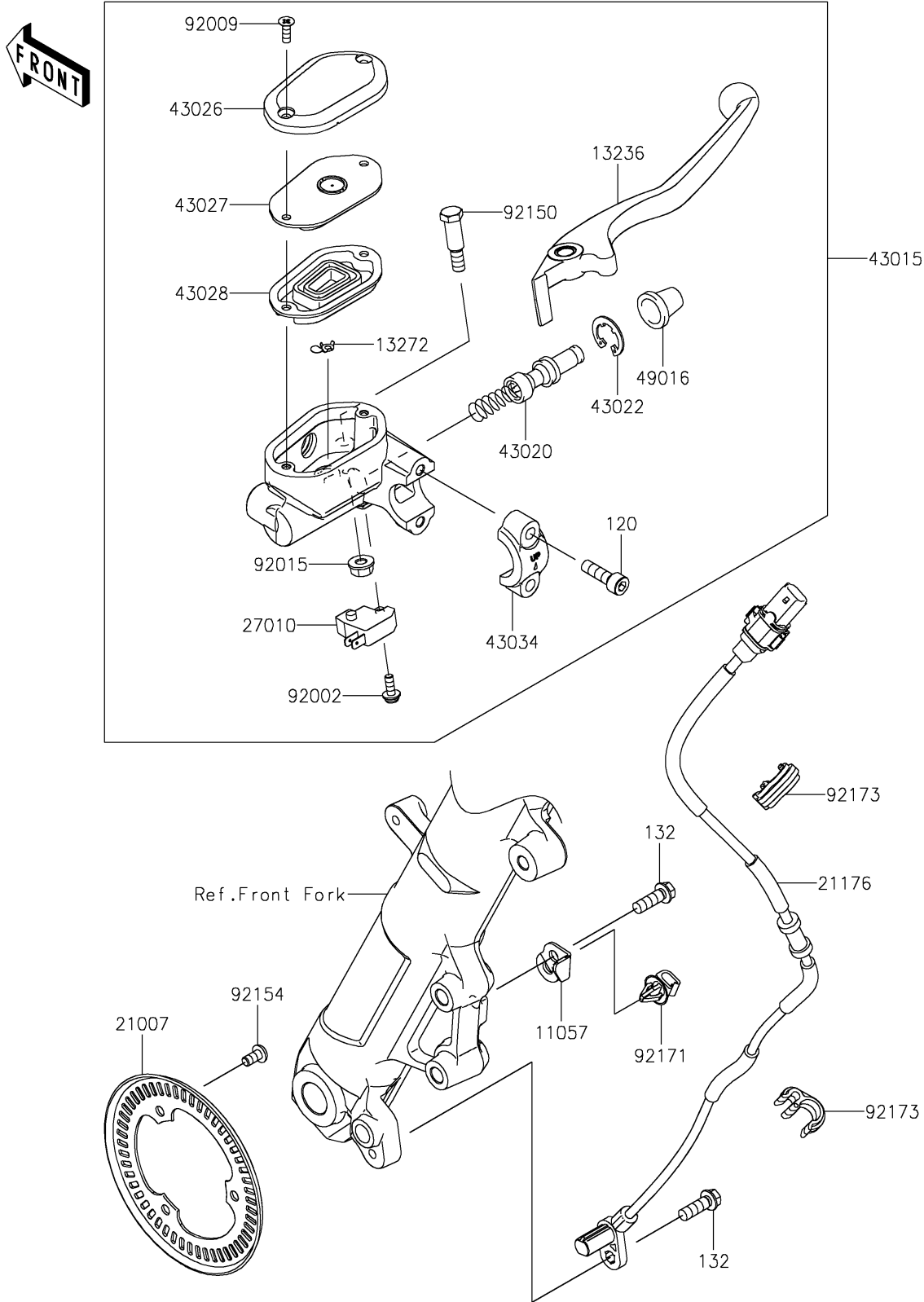


# 2022 Ninja® 400 ABS PARTS DIAGRAM

Front Master Cylinder

F2291



## 2022 Ninja® 400 ABS PARTS LIST

### Front Master Cylinder

ITEM NAME	PART NUMBER	QUANTITY
BRACKET,SENSOR (Ref # 11057)	11057-1099	1
LEVER-COMP (Ref # 13236)	13236-0811	1
PLATE (Ref # 13272)	13272-0573	1
ROTOR,SENSOR,FR (Ref # 21007)	21007-0671	1
SENSOR,SPEED,FR (Ref # 21176)	21176-0855	1
SWITCH,BRAKE (Ref # 27010)	27010-0762	1
CYLINDER-ASSY-MASTER,FR (Ref # 43015)	43015-0713	1
PISTON-COMP-BRAKE (Ref # 43020)	43020-0022	1
STOPPER-BRAKE,PISTON (Ref # 43022)	43022-1010	1
CAP-BRAKE (Ref # 43026)	43026-0026	1
PLATE-DIAPHRAGM (Ref # 43027)	43027-0010	1
DIAPHRAGM (Ref # 43028)	43028-0022	1
HOLDER-BRAKE,MASTER CYLINDER (Ref # 43034)	43034-1016	1
COVER-SEAL,MASTER CYLINDER (Ref # 49016)	49016-1044	1
BOLT,SCREW,4X12 (Ref # 92002)	92002-1323	1
SCREW,4MM (Ref # 92009)	92009-1458	2
NUT,FLANGED,6MM,BLACK (Ref # 92015)	92015-1233	1
BOLT,LEVER SET (Ref # 92150)	92150-1451	1
BOLT,SOCKET,5X10 (Ref # 92154)	92154-2801	3
CLAMP (Ref # 92171)	92171-0640	1
CLAMP,HOSE&SENSOR LINE (Ref # 92173)	92173-1613	2
BOLT-SOCKET,6X20 (Ref # 120)	120CB0620	2
BOLT-FLANGED-SMALL,6X18 (Ref # 132)	132BC0618	2