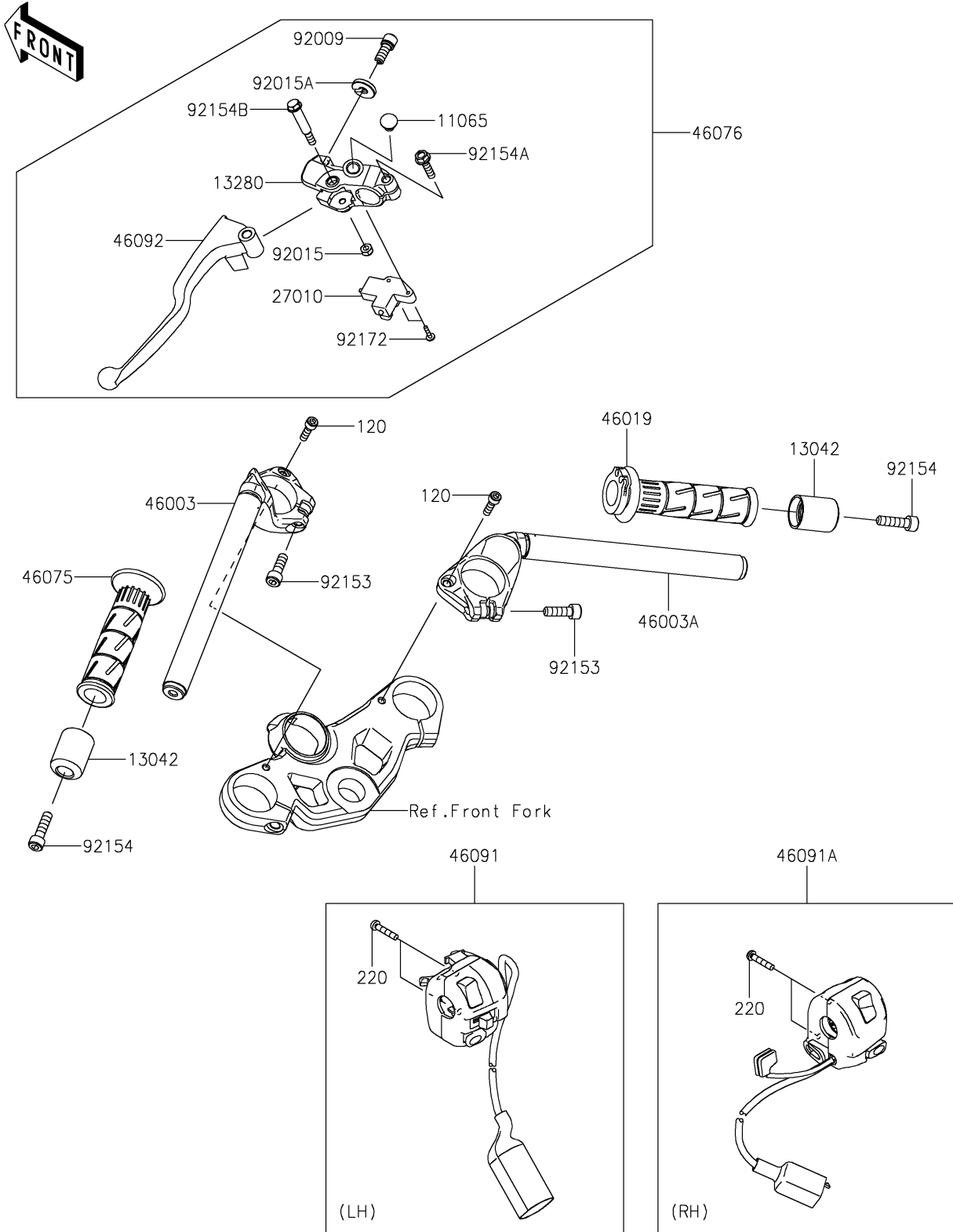


2022 NINJA® 400 PARTS DIAGRAM

Handlebar

F2310



2022 NINJA® 400 PARTS LIST

Handlebar

ITEM NAME	PART NUMBER	QUANTITY
-----------	-------------	----------