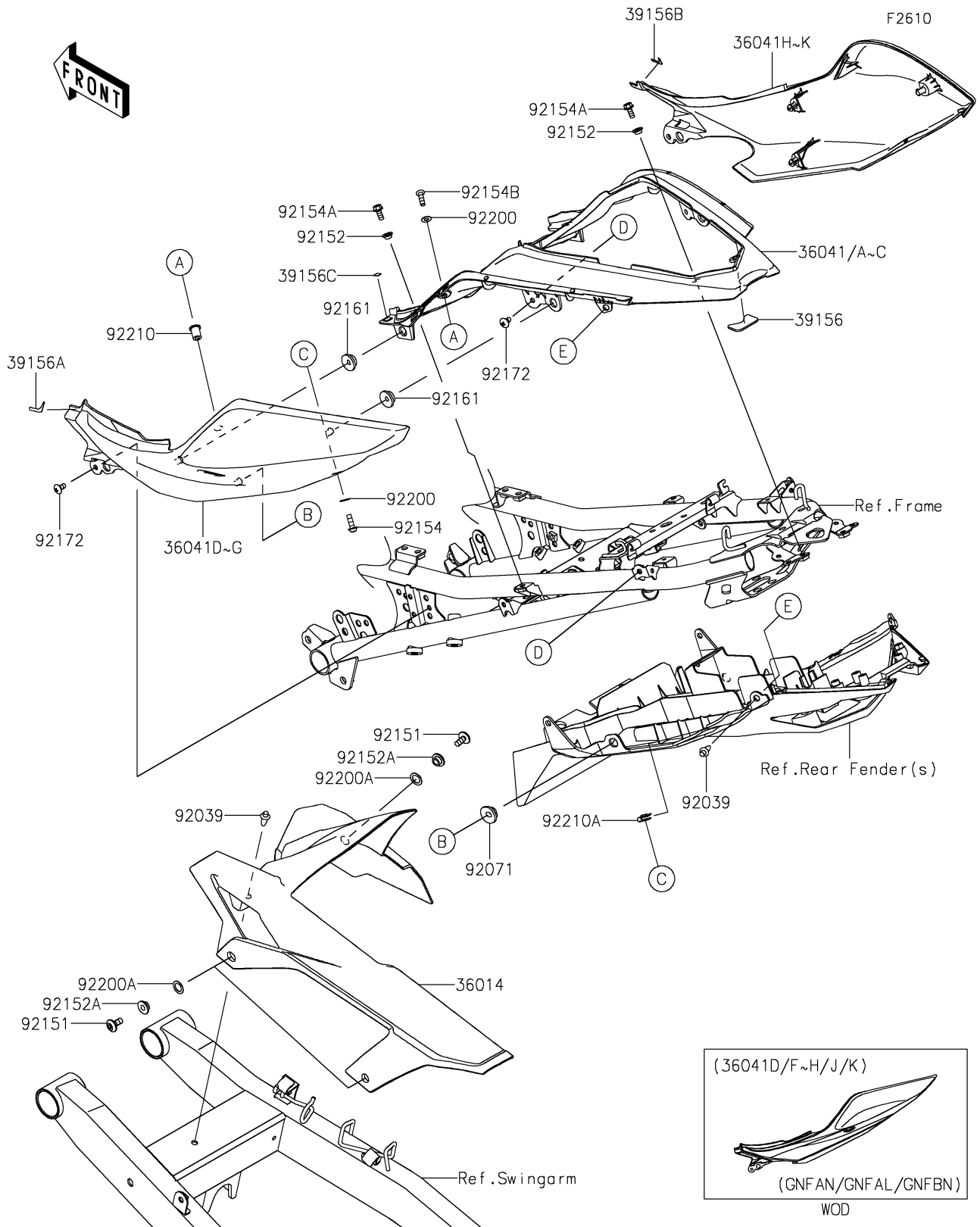


2022 Ninja® 400 ABS PARTS DIAGRAM

Side Covers/Chain Cover



2022 Ninja® 400 ABS PARTS LIST

Side Covers/Chain Cover

ITEM NAME	PART NUMBER	QUANTITY
-----------	-------------	----------