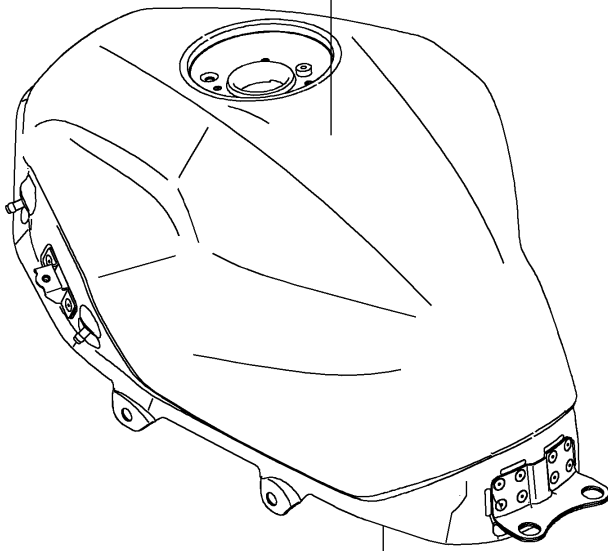
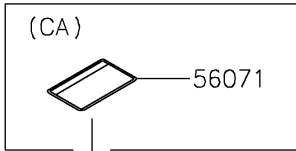


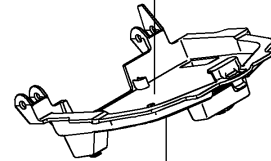
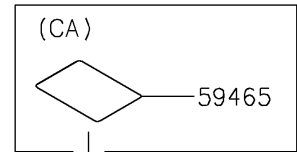
2022 Ninja® 400 ABS PARTS DIAGRAM

Labels

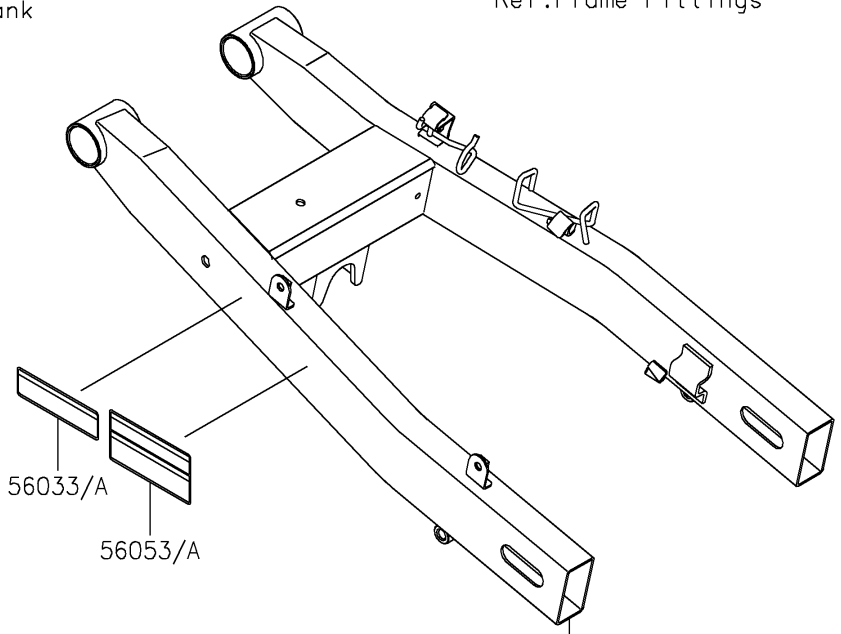
F2860



Ref. Fuel Tank



Ref. Frame Fittings



56033/A

56053/A

Ref. Swingarm

2022 Ninja® 400 ABS PARTS LIST

Labels

ITEM NAME	PART NUMBER	QUANTITY
LABEL-MANUAL,CHAIN (Ref # 56033)	56033-0850	1
LABEL-SPECIFICATION,TIRE&LOAD (Ref # 56053)	56053-1580	1
LABEL-WARNING,EVAPO (Ref # 56071)	56071-0158	1
LABEL-CERTIFICATION (Ref # 59465)	59465-1871	1