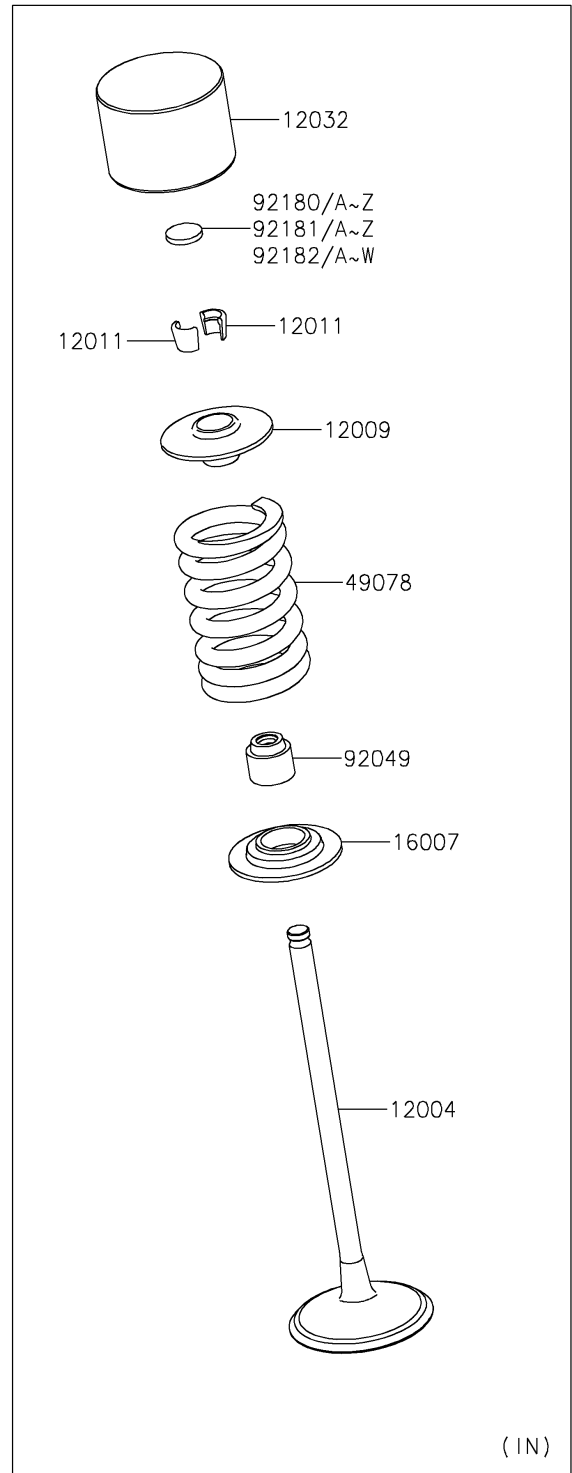
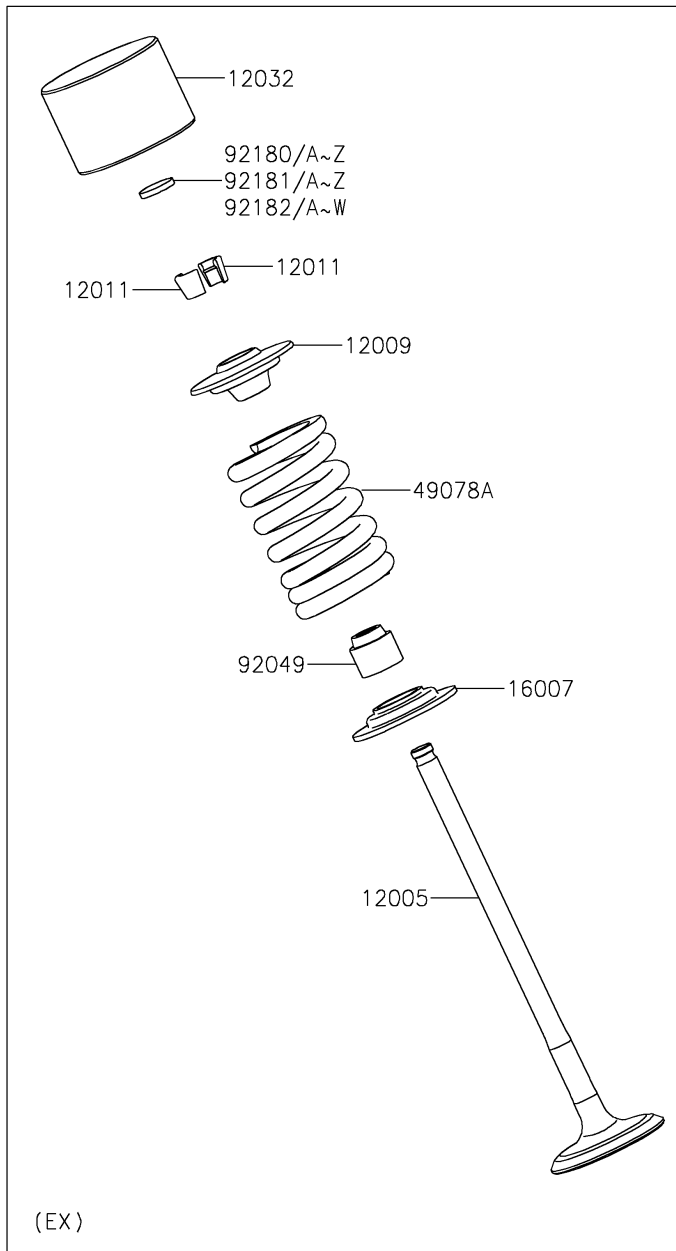


2022 NINJA H2® SX SE PARTS DIAGRAM

Valve(s)

E1210



2022 NINJA H2® SX SE PARTS LIST

Valve(s)

ITEM NAME	PART NUMBER	QUANTITY
-----------	-------------	----------