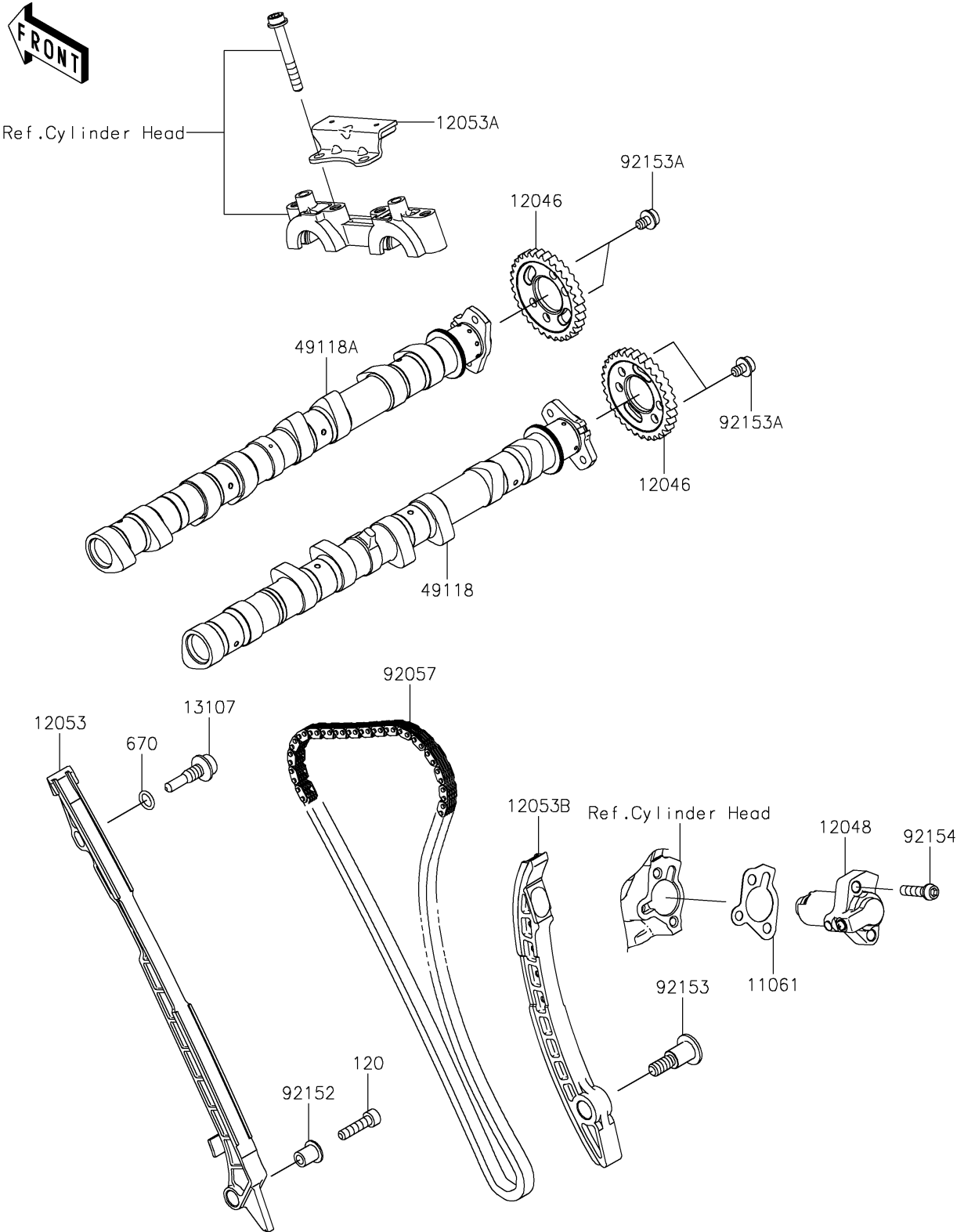


2022 NINJA H2® SX SE PARTS DIAGRAM

Camshaft(s)/Tensioner

E1230



2022 NINJA H2® SX SE PARTS LIST

Camshaft(s)/Tensioner

ITEM NAME	PART NUMBER	QUANTITY
-----------	-------------	----------