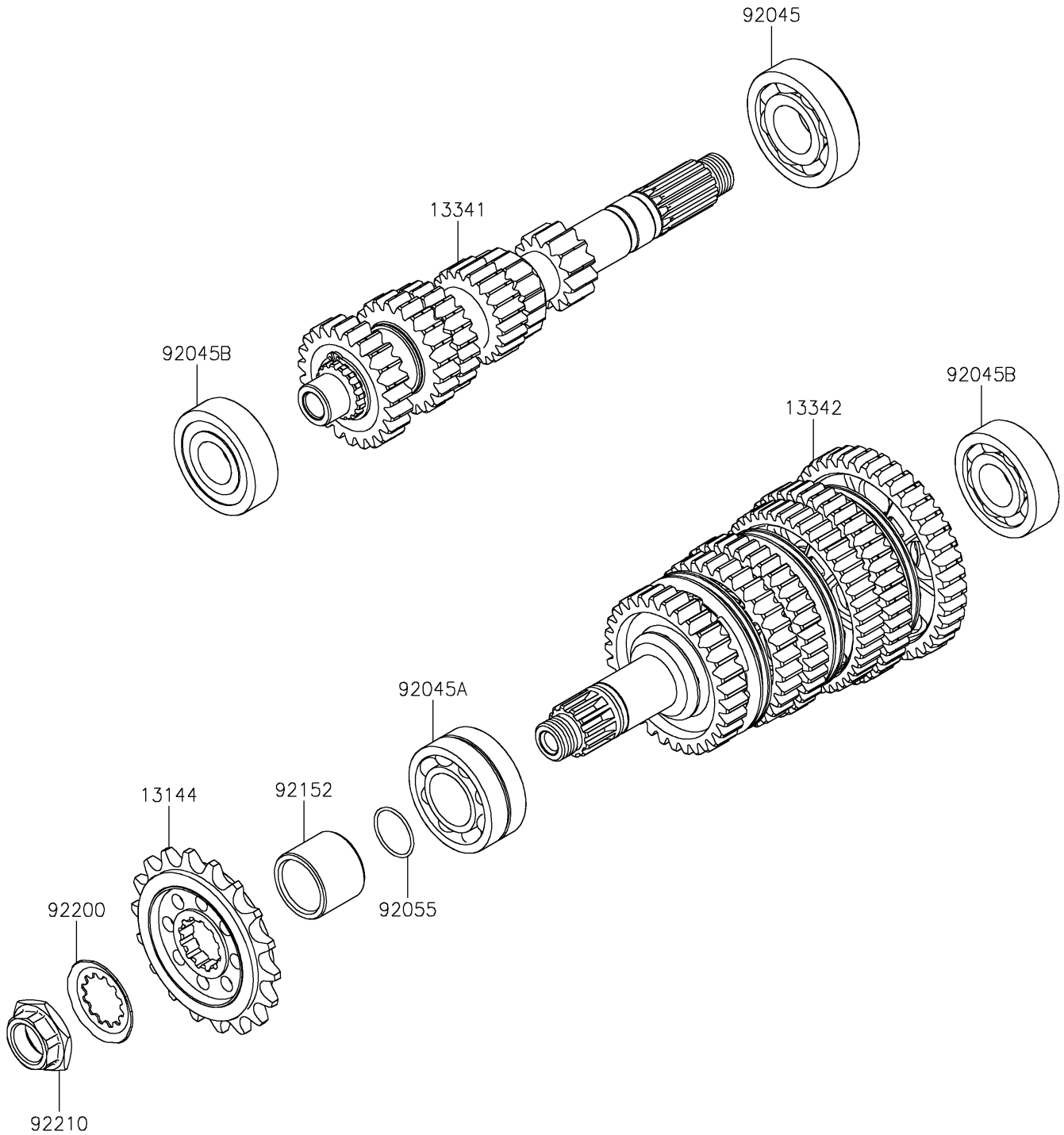


2022 NINJA H2® SX SE PARTS DIAGRAM

Transmission

E1361



2022 NINJA H2® SX SE PARTS LIST

Transmission

ITEM NAME	PART NUMBER	QUANTITY
-----------	-------------	----------