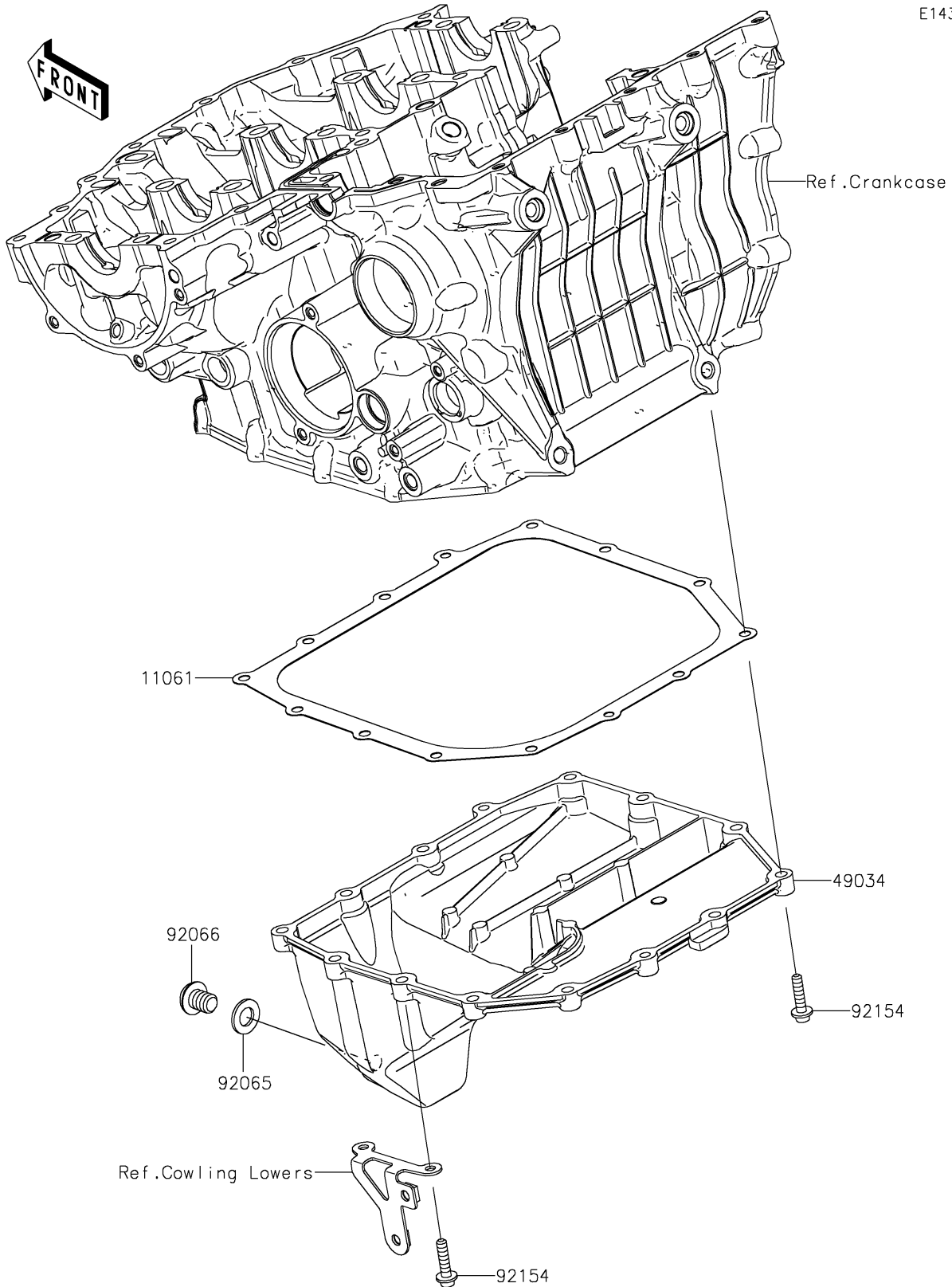


# 2022 NINJA H2® SX SE PARTS DIAGRAM

Oil Pan

E1434



# 2022 NINJA H2® SX SE PARTS LIST

Oil Pan

ITEM NAME	PART NUMBER	QUANTITY
-----------	-------------	----------