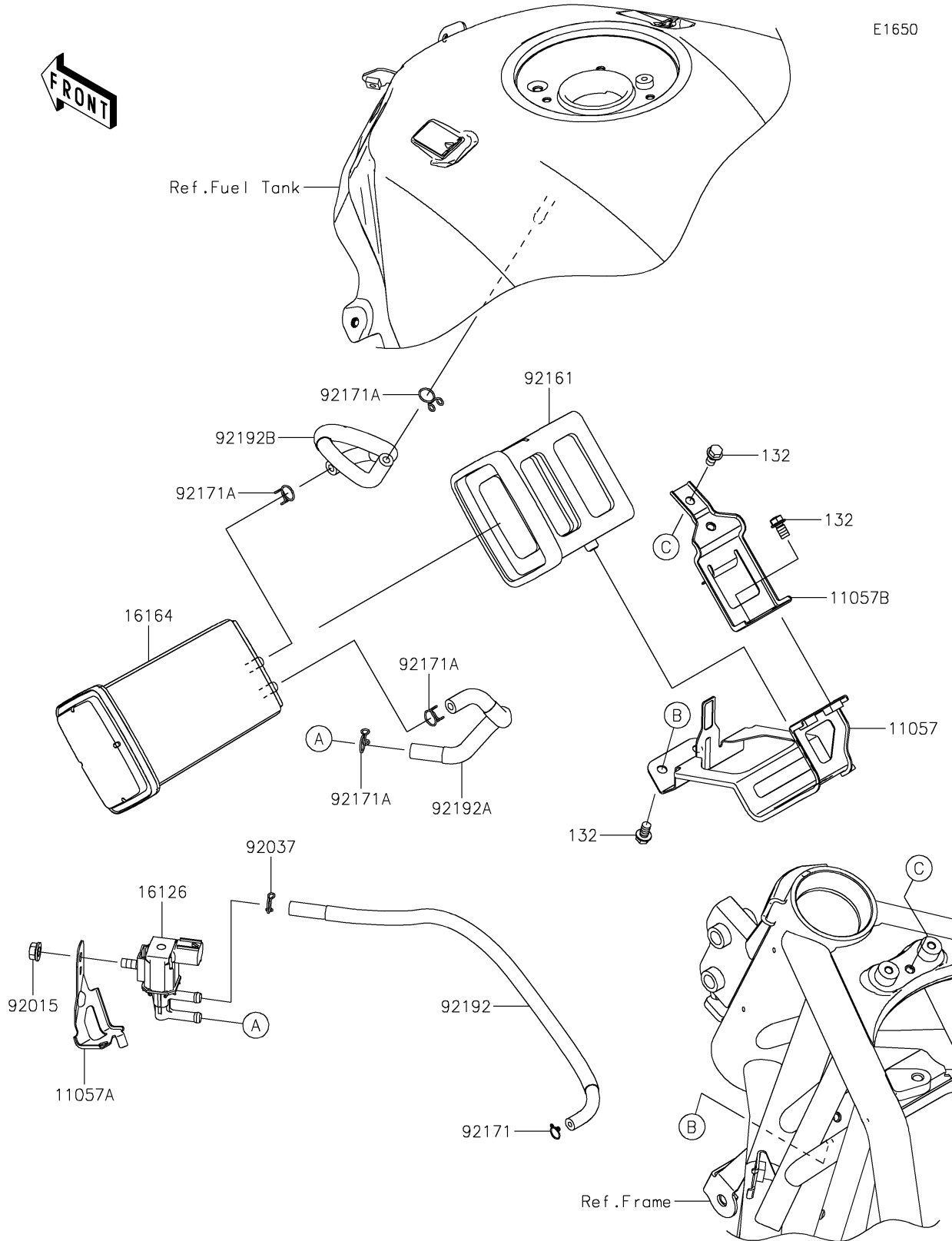


2022 NINJA H2® SX SE PARTS DIAGRAM

Fuel Evaporative System



2022 NINJA H2® SX SE PARTS LIST

Fuel Evaporative System

ITEM NAME	PART NUMBER	QUANTITY
-----------	-------------	----------