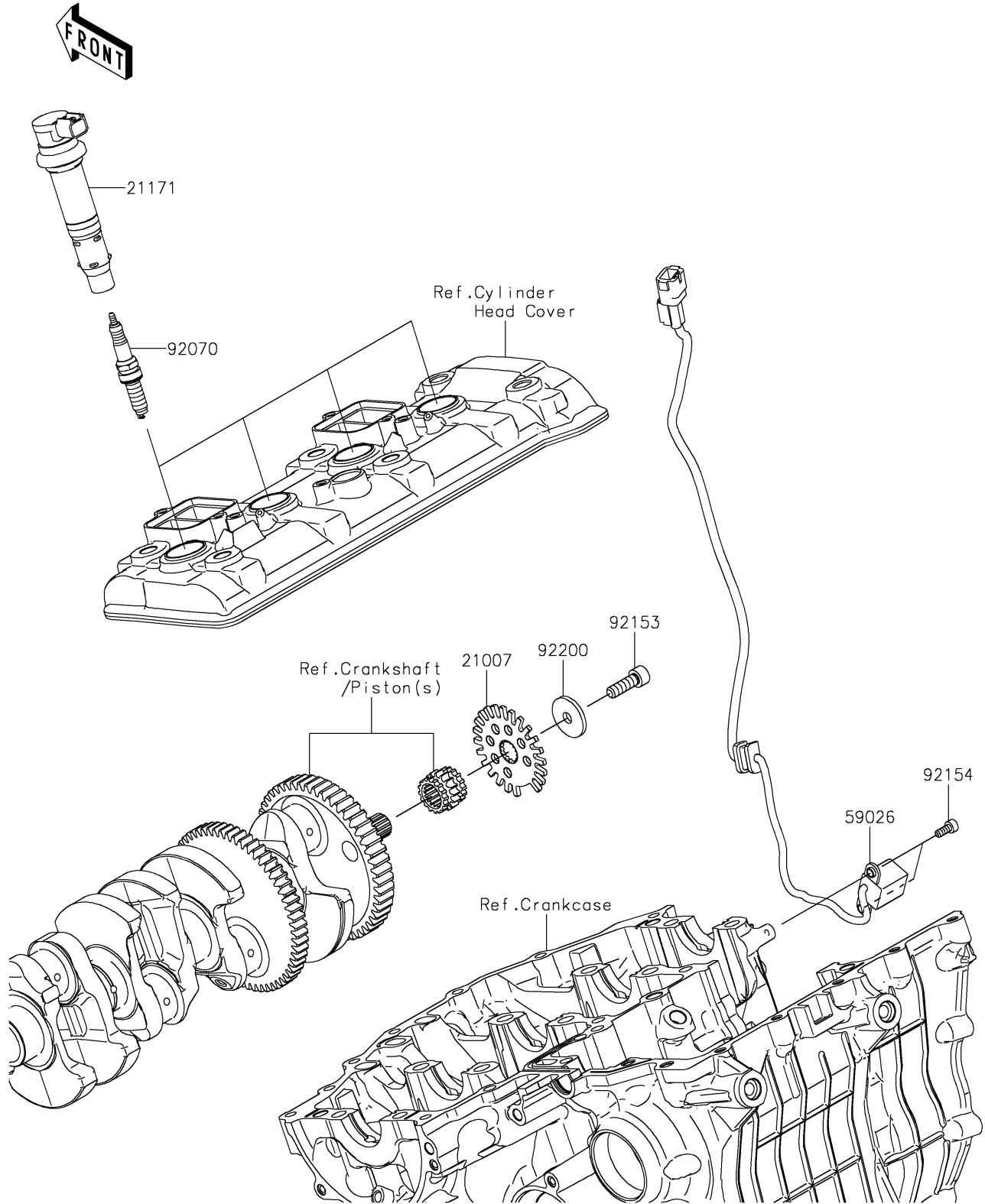


# 2022 NINJA H2® SX SE PARTS DIAGRAM

## Ignition System

E1830



# 2022 NINJA H2® SX SE PARTS LIST

Ignition System

ITEM NAME	PART NUMBER	QUANTITY
-----------	-------------	----------