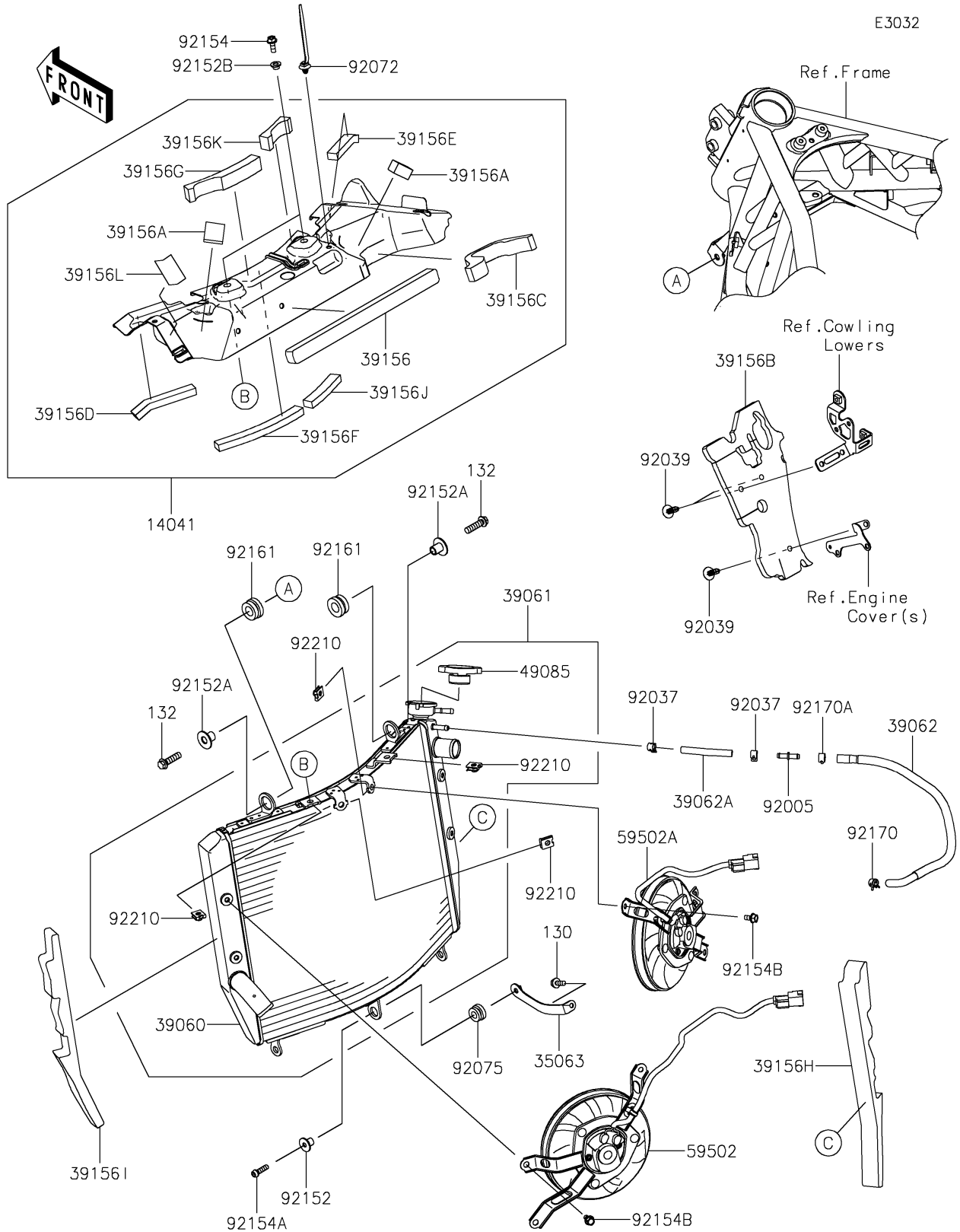


# 2022 NINJA H2® SX SE PARTS DIAGRAM

## Radiator



# 2022 NINJA H2® SX SE PARTS LIST

Radiator

ITEM NAME	PART NUMBER	QUANTITY
-----------	-------------	----------