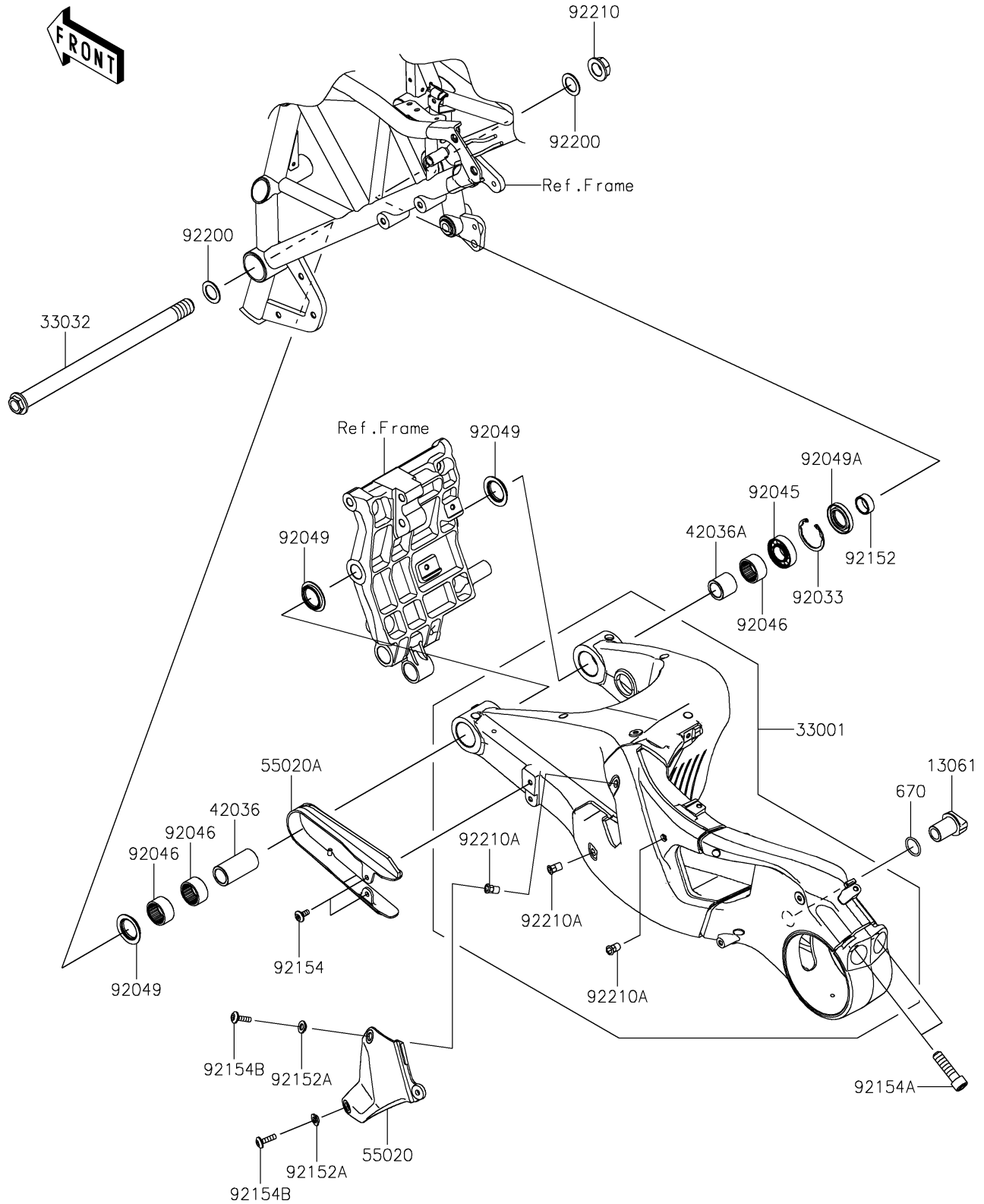


# 2022 NINJA H2® SX SE PARTS DIAGRAM

Swingarm

F2141



# 2022 NINJA H2® SX SE PARTS LIST

Swingarm

ITEM NAME	PART NUMBER	QUANTITY
-----------	-------------	----------