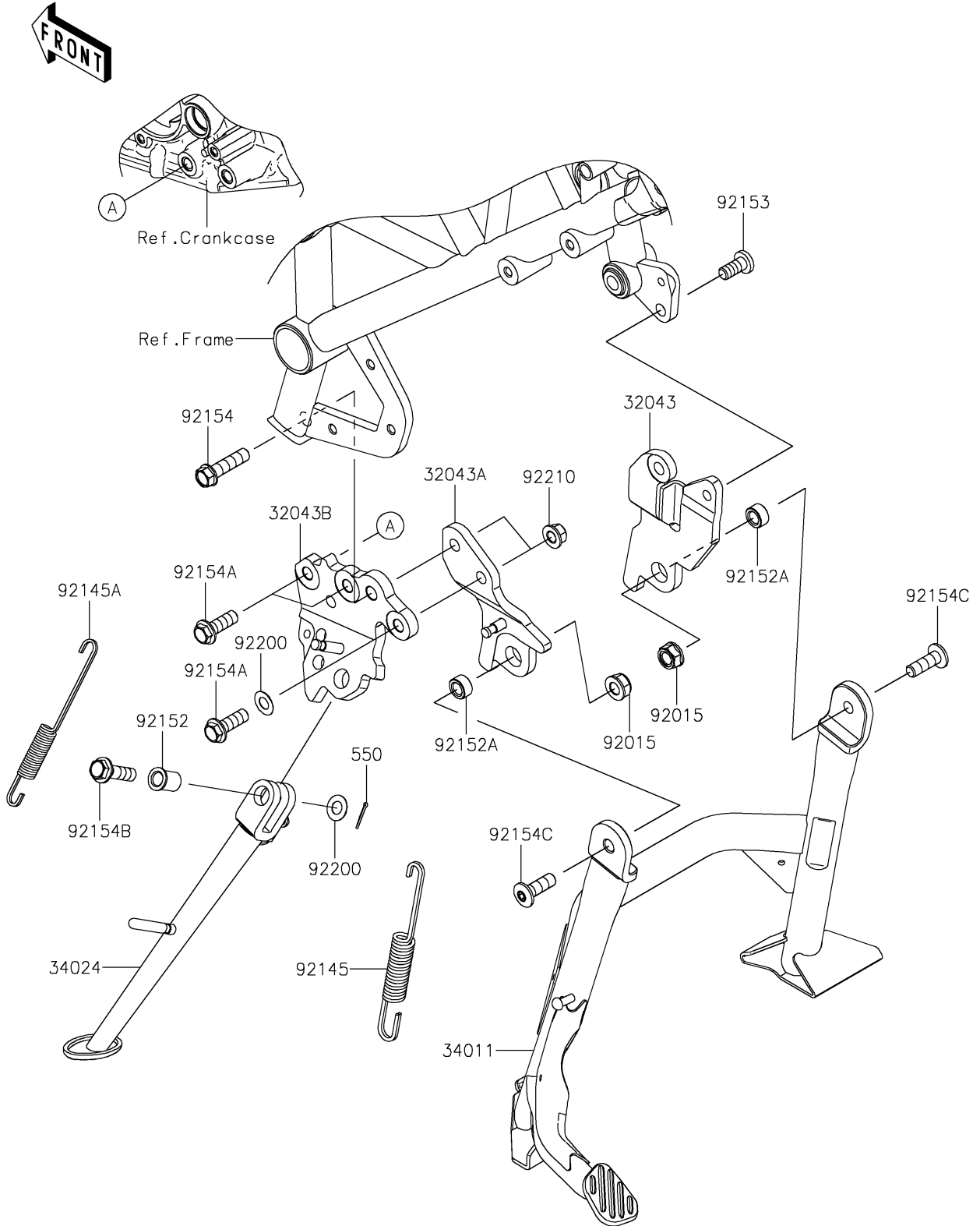


# 2022 NINJA H2® SX SE PARTS DIAGRAM

Stand(s)

F2190



# 2022 NINJA H2® SX SE PARTS LIST

Stand(s)

ITEM NAME	PART NUMBER	QUANTITY
-----------	-------------	----------