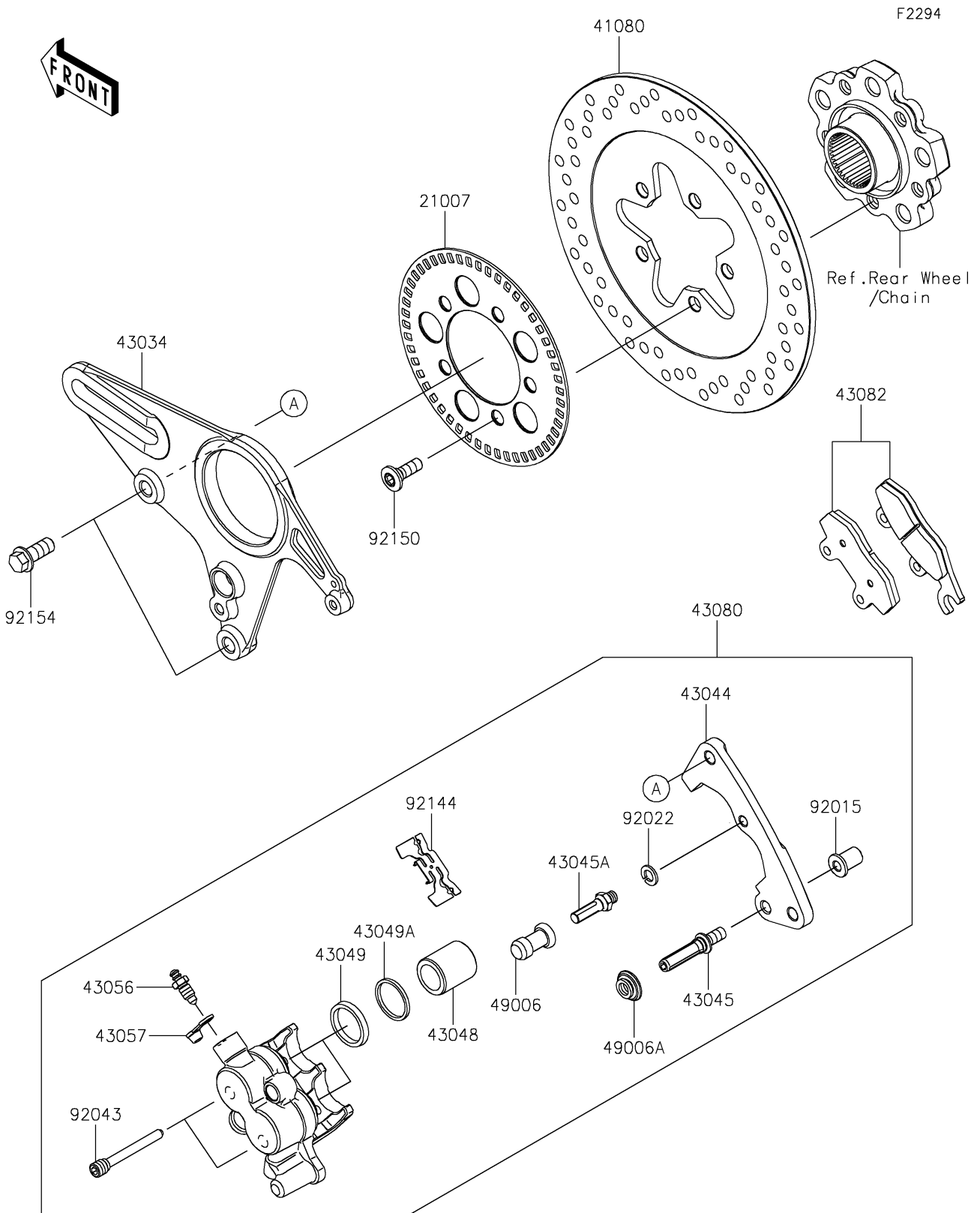


2022 NINJA H2® SX SE PARTS DIAGRAM

Rear Brake



2022 NINJA H2® SX SE PARTS LIST

Rear Brake

ITEM NAME	PART NUMBER	QUANTITY
-----------	-------------	----------