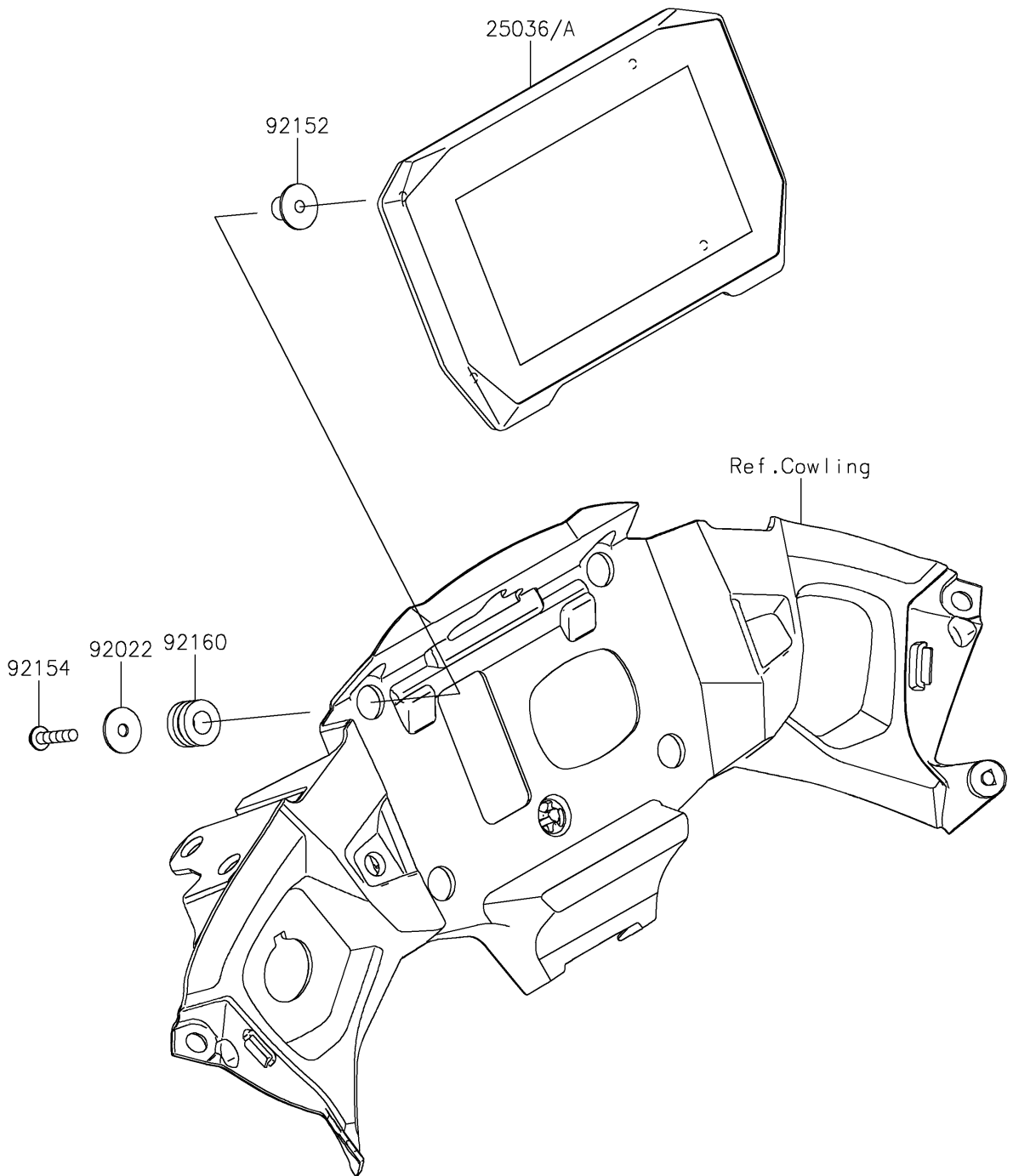


2022 NINJA H2® SX SE PARTS DIAGRAM

Meter(s)

F2530



2022 NINJA H2® SX SE PARTS LIST

Meter(s)

ITEM NAME	PART NUMBER	QUANTITY
METER-ASSY-MULTI-FUNCTION (Ref # 25036)	25036-0002	1
WASHER,5.5X20X1.2 (Ref # 92022)	92022-1405	4
COLLAR (Ref # 92152)	92152-2790	4
BOLT,SOCKET,5X23 (Ref # 92154)	92154-3820	4
DAMPER,10X20X12 (Ref # 92160)	92160-1167	4