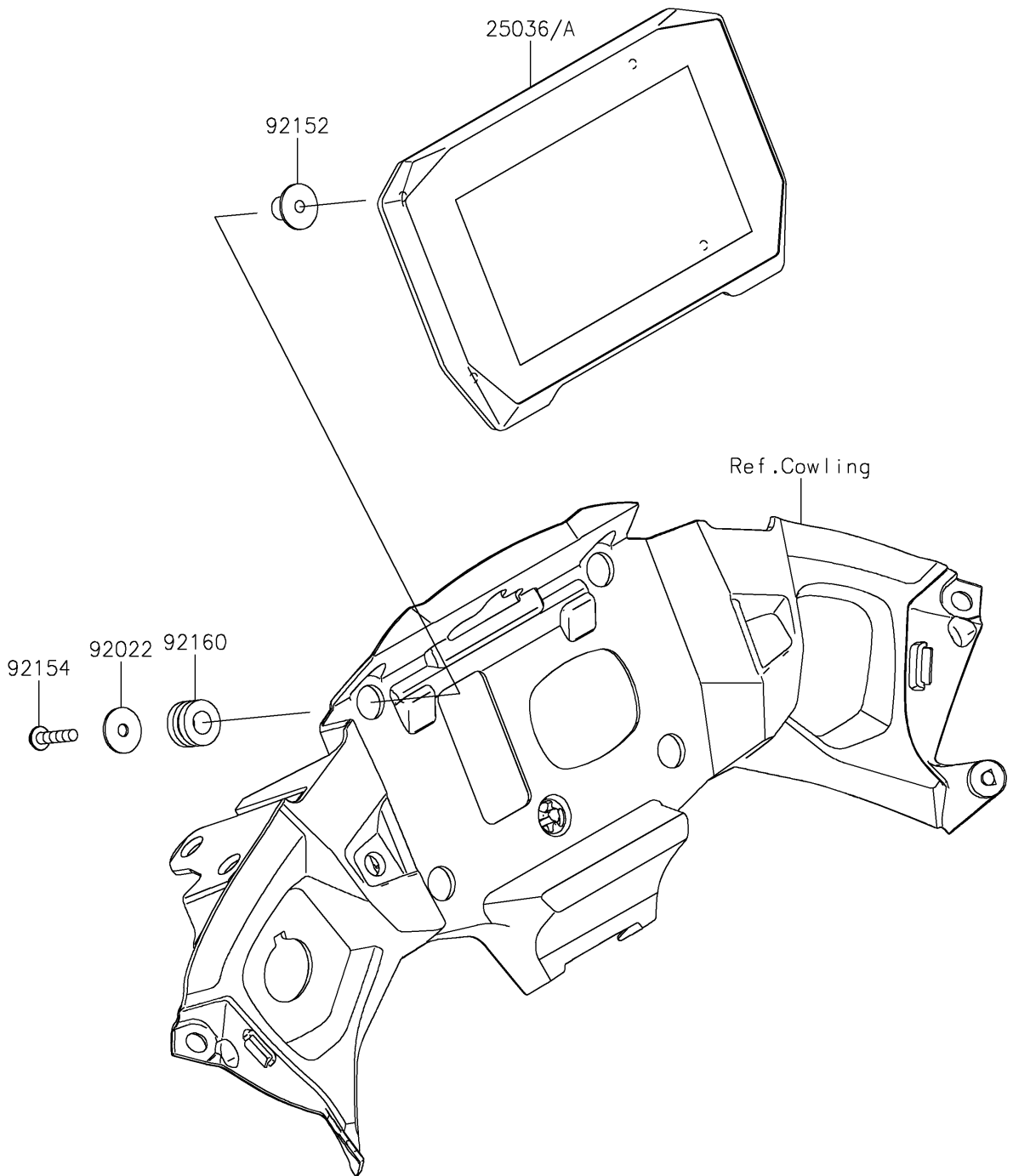


2022 NINJA H2® SX SE PARTS DIAGRAM

Meter(s)

F2530



2022 NINJA H2® SX SE PARTS LIST

Meter(s)

ITEM NAME	PART NUMBER	QUANTITY
-----------	-------------	----------