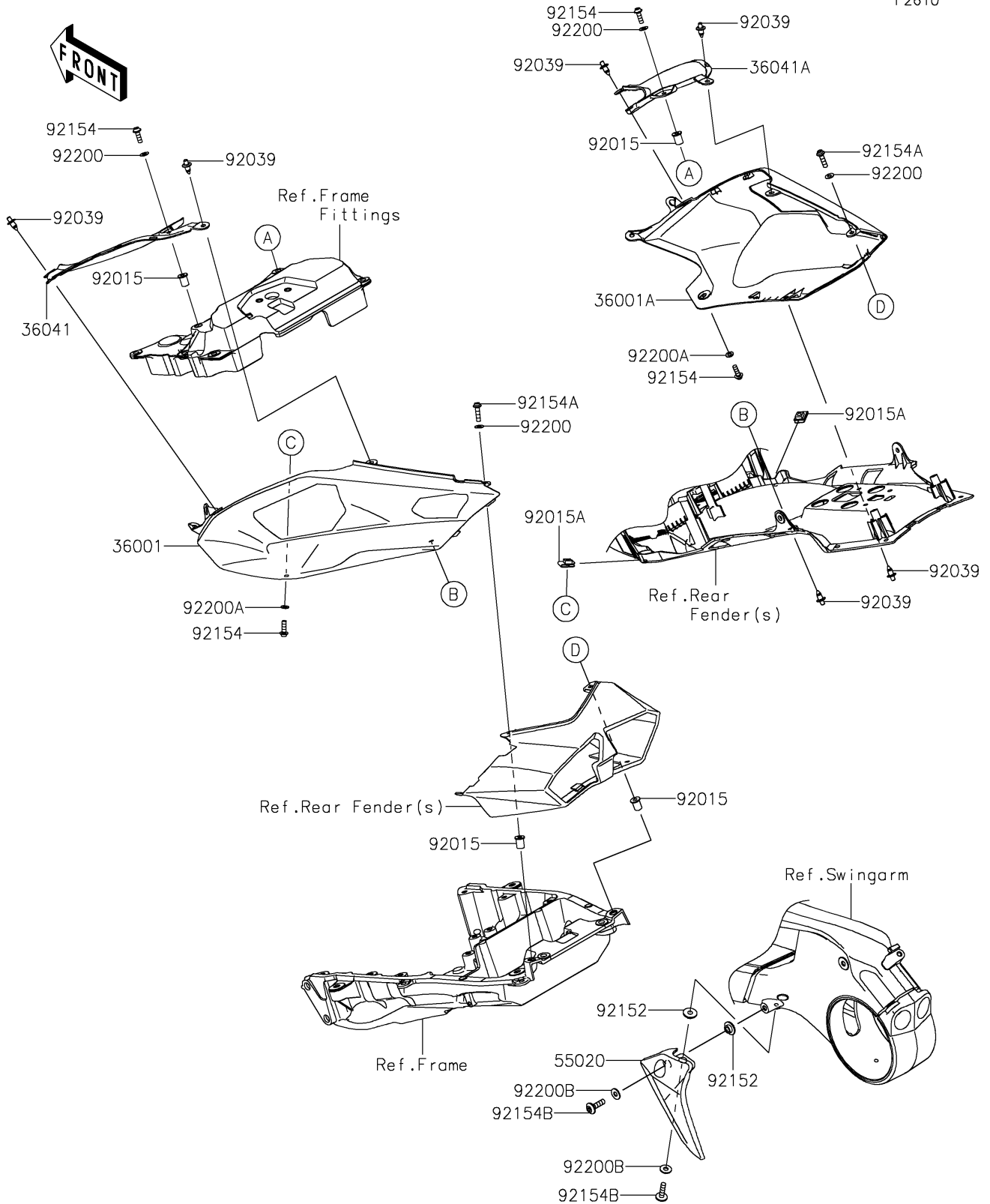


# 2022 NINJA H2® SX SE PARTS DIAGRAM

## Side Covers/Chain Cover

F2610



# 2022 NINJA H2® SX SE PARTS LIST

Side Covers/Chain Cover

ITEM NAME	PART NUMBER	QUANTITY
-----------	-------------	----------