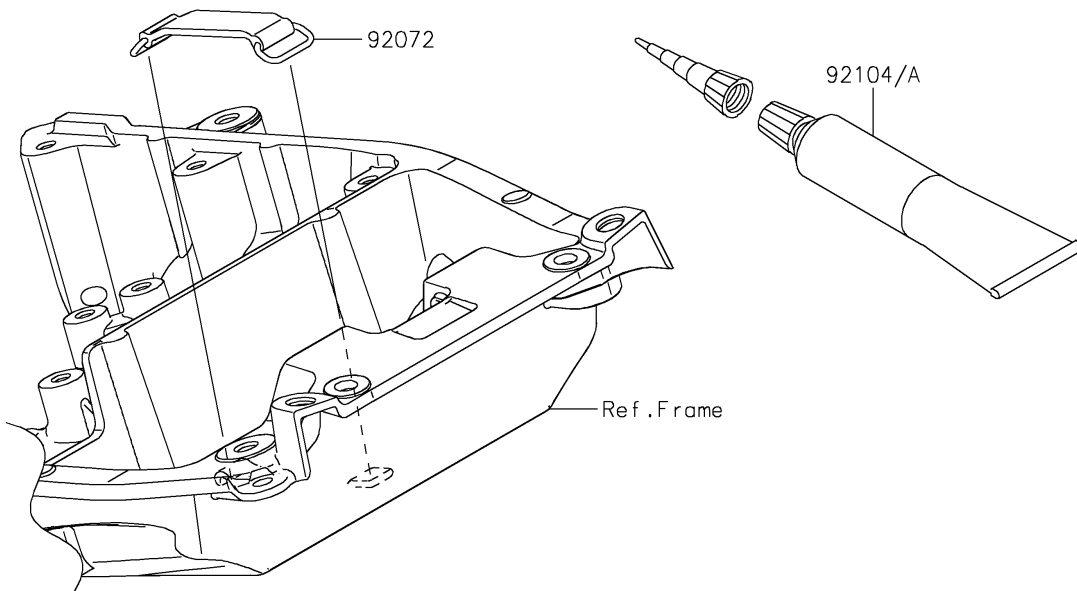
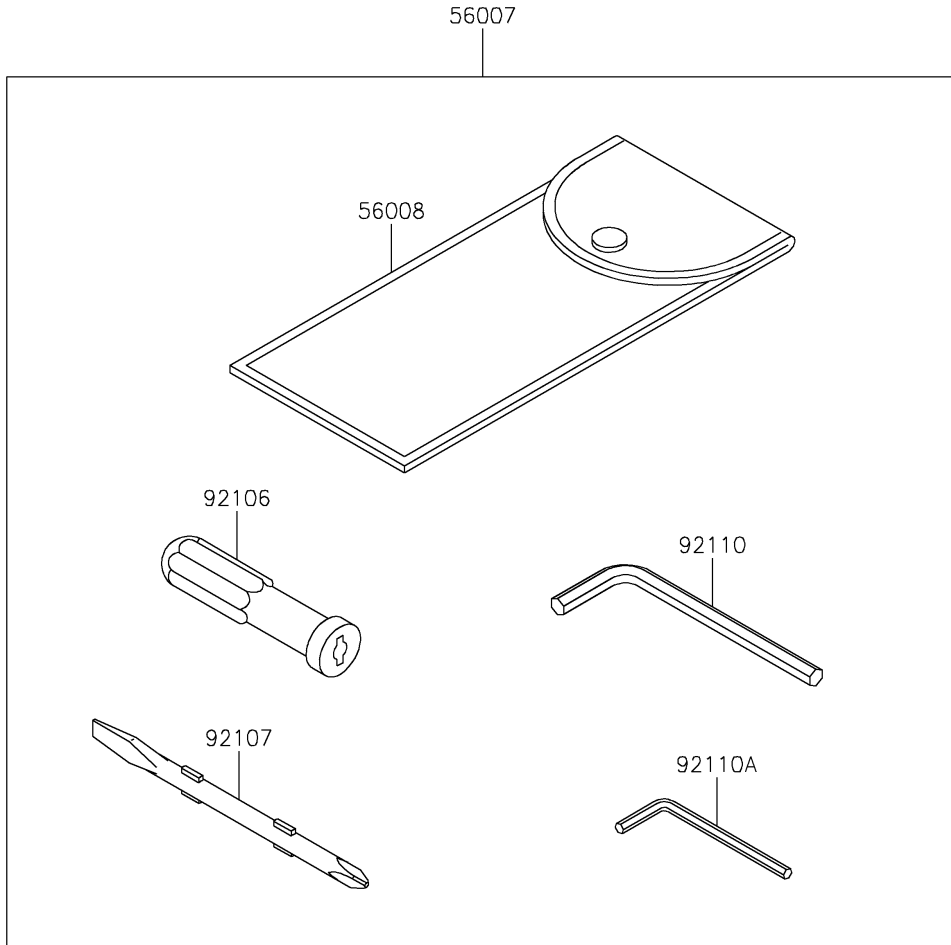


2022 NINJA H2® SX SE PARTS DIAGRAM

Owner's Tools

F2810



2022 NINJA H2® SX SE PARTS LIST

Owner's Tools

ITEM NAME	PART NUMBER	QUANTITY
-----------	-------------	----------