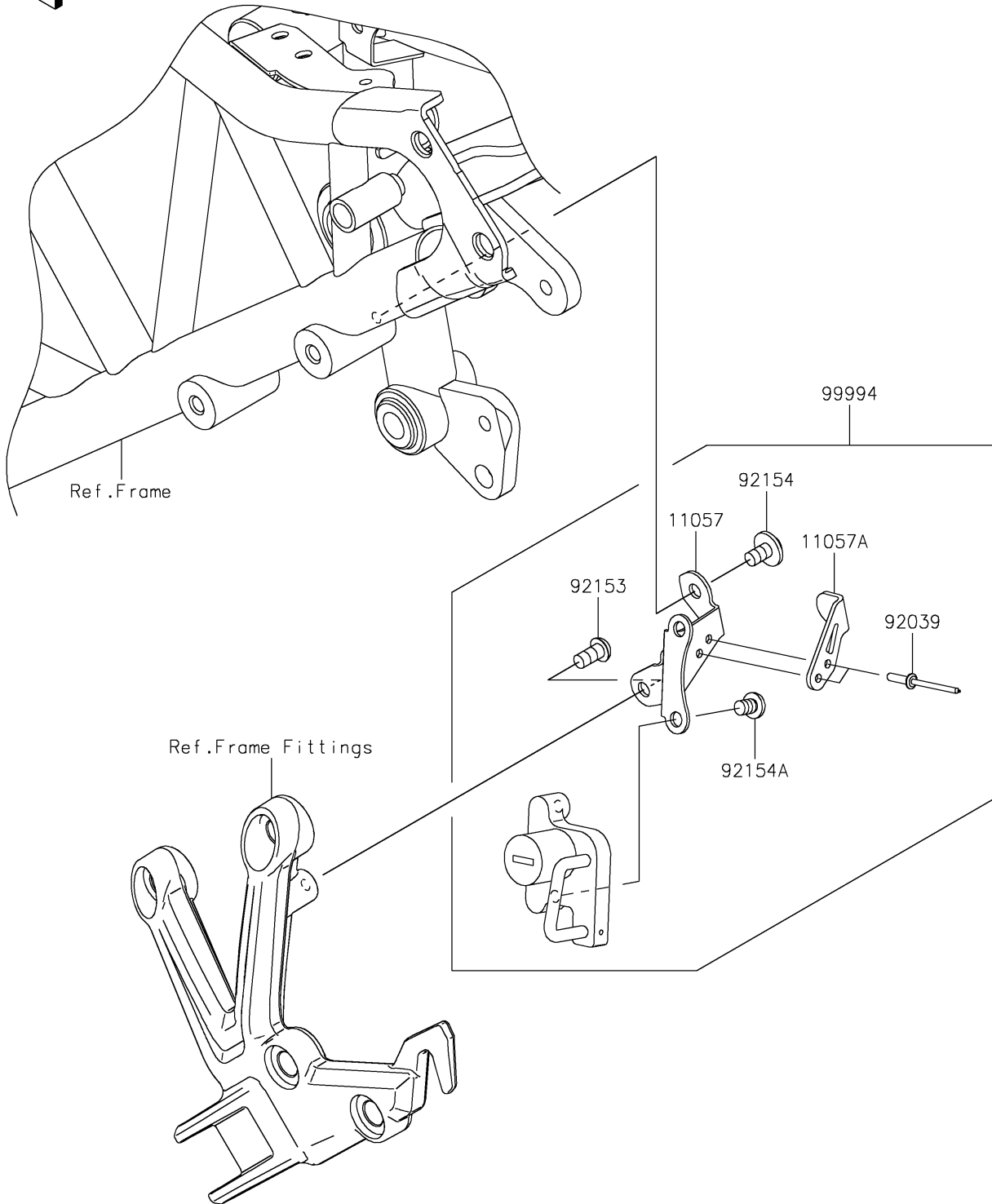


2022 NINJA H2® SX SE PARTS DIAGRAM

Accessory(Safety and Security)

F2910E



2022 NINJA H2® SX SE PARTS LIST

Accessory(Safety and Security)

ITEM NAME	PART NUMBER	QUANTITY
-----------	-------------	----------