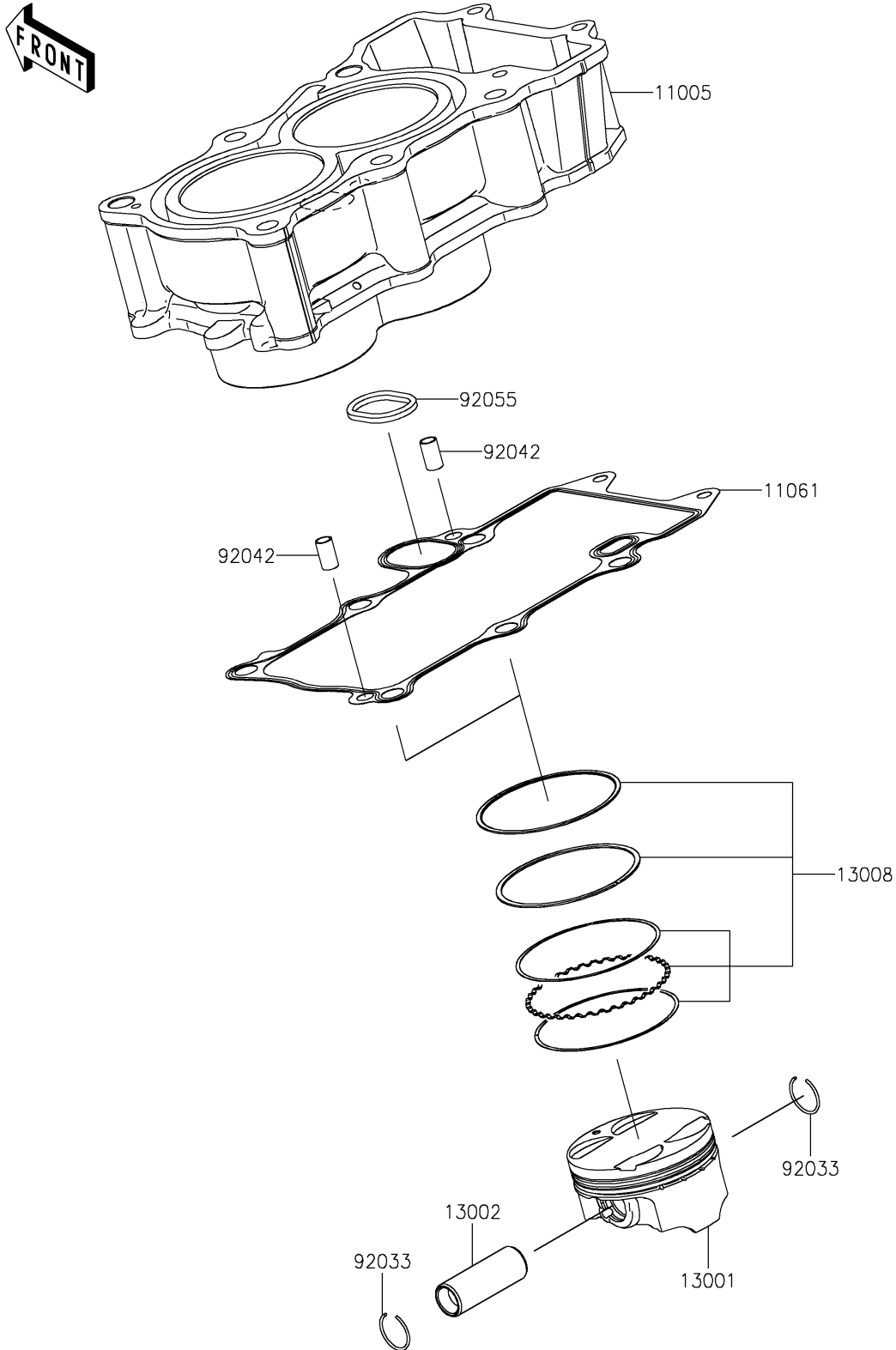


2023 Ninja® 400 ABS PARTS DIAGRAM

Cylinder/Piston(s)

E1120



2023 Ninja® 400 ABS PARTS LIST

Cylinder/Piston(s)

ITEM NAME	PART NUMBER	QUANTITY
CYLINDER-ENGINE (Ref # 11005)	11005-0744	1
GASKET,CYLINDER BASE (Ref # 11061)	11061-1247	1
PISTON-ENGINE (Ref # 13001)	13001-0834	2
PIN-PISTON (Ref # 13002)	13002-0050	2
RING-SET-PISTON (Ref # 13008)	13008-0599	2
RING-SNAP (Ref # 92033)	92033-1054	4
PIN,DOWEL,6.3X8X14 (Ref # 92042)	92042-007	2
RING-O (Ref # 92055)	92055-0888	1