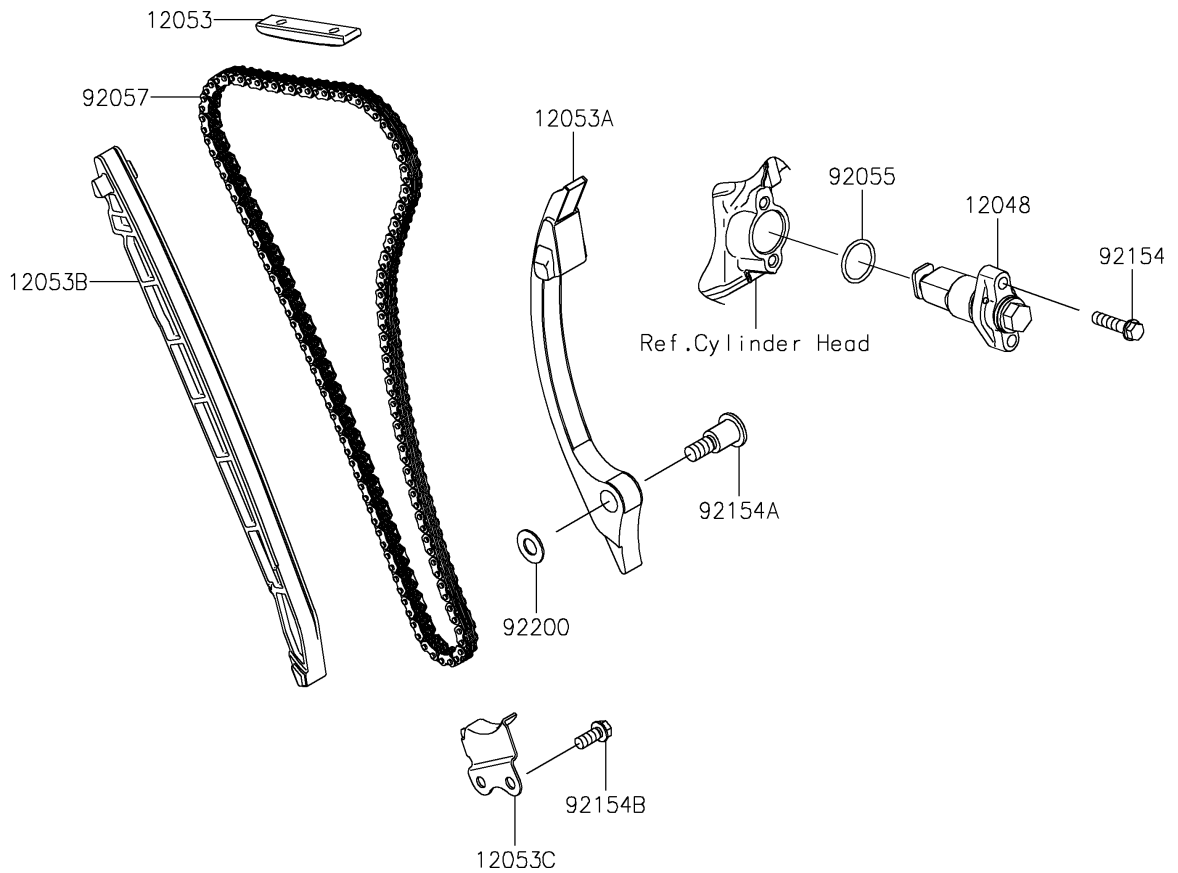
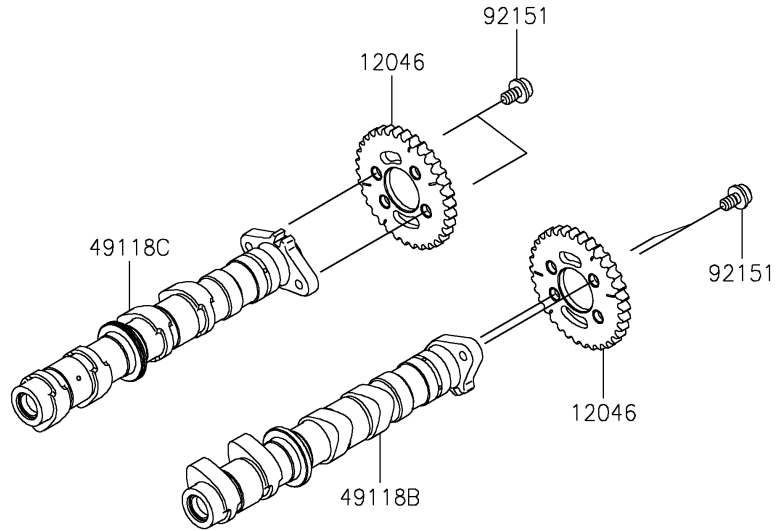
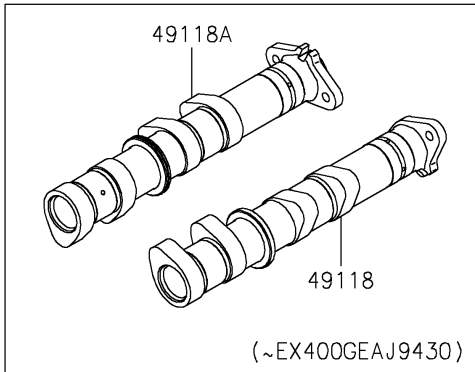


2023 Ninja® 400 ABS PARTS DIAGRAM

Camshaft(s)/Tensioner

E1230



2023 Ninja® 400 ABS PARTS LIST

Camshaft(s)/Tensioner

ITEM NAME	PART NUMBER	QUANTITY
-----------	-------------	----------