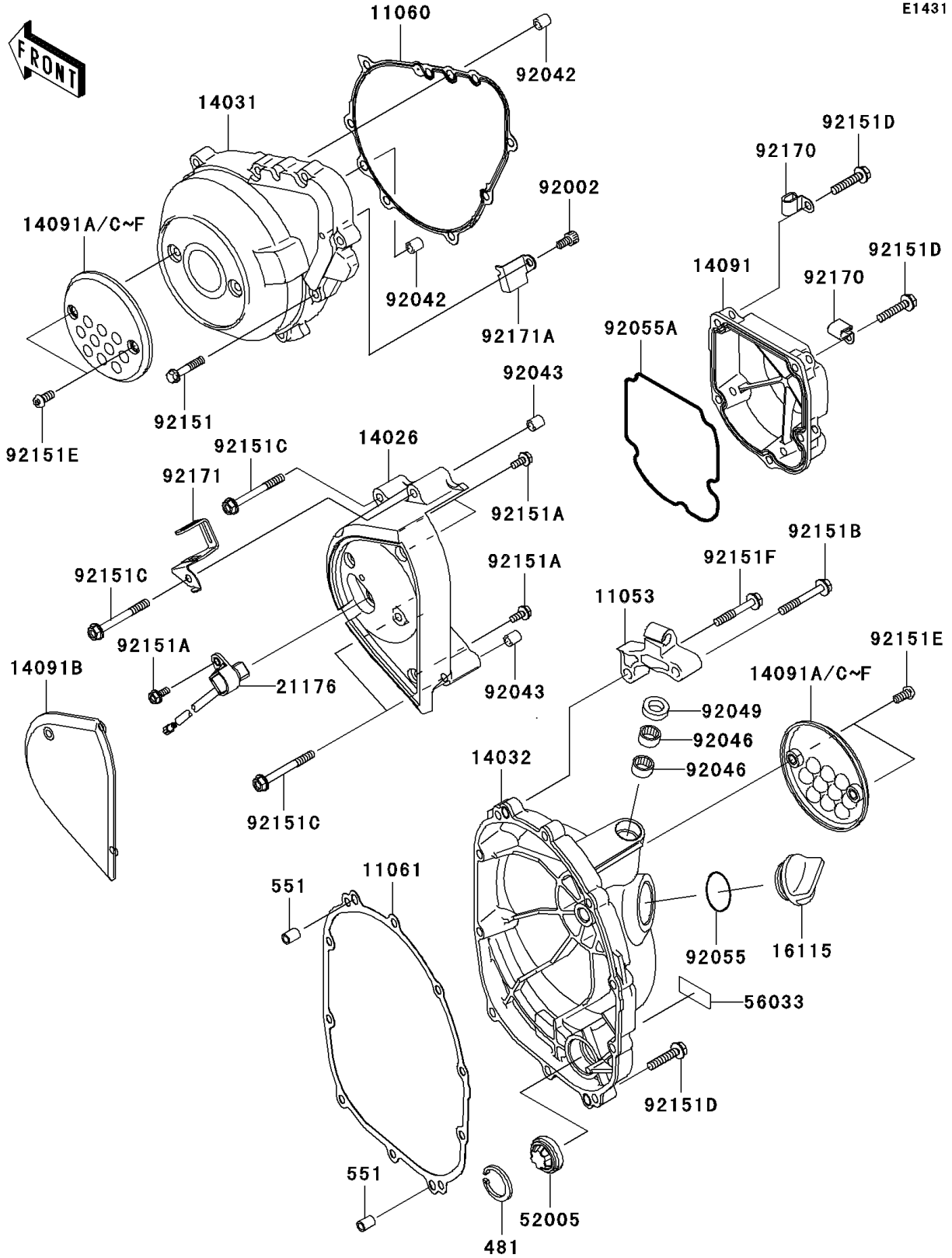


# 2004 Z1000 (European) PARTS DIAGRAM

Engine Cover(s)

E1431



## 2004 Z1000 (European) PARTS LIST

### Engine Cover(s)

ITEM NAME	PART NUMBER	QUANTITY
CIRCLIP-TYPE-C,30MM (Ref # 481)	481J3000	1
PIN-DOWEL,8X14 (Ref # 551)	551A0814	2
BRACKET,CLUTH CABLE (Ref # 11053)	11053-1069	1
GASKET,GENERATOR COVER (Ref # 11060)	11060-1854	1
GASKET,CLUTCH COVER (Ref # 11061)	11061-1166	1
COVER-CHAIN (Ref # 14026)	14026-1293	1
COVER-GENERATOR (Ref # 14031)	14031-1403	1
COVER-CLUTCH (Ref # 14032)	14032-1542	1
COVER,PULSE (Ref # 14091)	14091-0083	1
COVER,GENERATOR&CLUTCH,BLACK (Ref # 14091A)	14091-0214	2
COVER,RELEASE (Ref # 14091B)	14091-1529	1
COVER,GENERATOR&CLUTCH,ORANGE (Ref # 14091C)	14091-1530-268	2
COVER,GENERATOR&CLUTCH,F.RED (Ref # 14091E)	14091-1530-6L	2
CAP-OIL FILLER (Ref # 16115)	16115-1009	1
SENSOR,SPEED (Ref # 21176)	21176-0032	1
GAUGE (Ref # 52005)	52005-1120	1
LABEL-MANUAL,OIL CAPACITY (Ref # 56033)	56033-0022	1
BOLT,SOCKET,6X12 (Ref # 92002)	92002-1796	1
PIN,DOWEL,6.3X8X14 (Ref # 92042)	92042-007	2
PIN,8X16 (Ref # 92043)	92043-1322	2
BEARING-NEEDLE,HK1210 (Ref # 92046)	92046-1010	2
SEAL-OIL,CLUTCH RELEASE (Ref # 92049)	92049-1475	1
RING-O,31.7X2.4 (Ref # 92055)	92055-049	1
RING-O,PULSE COVER (Ref # 92055A)	92055-1570	1
BOLT,6X30 (Ref # 92151)	92151-1134	8
BOLT,5X12 (Ref # 92151A)	92151-1305	4
BOLT,6X45 (Ref # 92151B)	92151-1521	1
BOLT,6X55 (Ref # 92151C)	92151-1540	4
BOLT,6X30 (Ref # 92151D)	92151-1547	13

## 2004 Z1000 (European) PARTS LIST

### Engine Cover(s)

ITEM NAME	PART NUMBER	QUANTITY
BOLT,SOCKET,6X14 (Ref # 92151E)	92151-1554	4
BOLT,6X40 (Ref # 92151F)	92151-1583	1
CLAMP (Ref # 92170)	92170-1577	2
CLAMP (Ref # 92171)	92171-0067	1
CLAMP (Ref # 92171A)	92171-1566	1