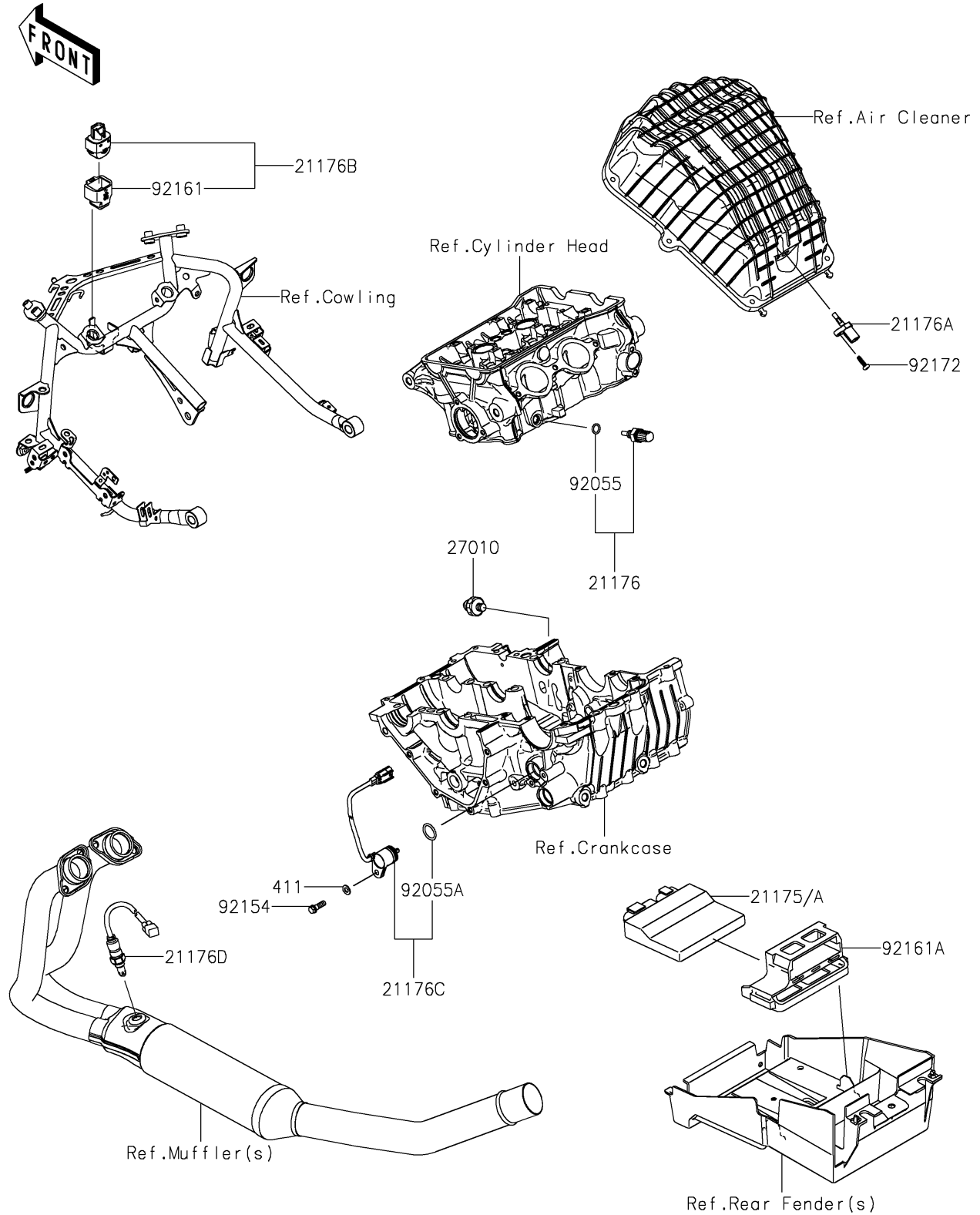


# 2023 Ninja® 400 ABS PARTS DIAGRAM

Fuel Injection

E1530



# 2023 Ninja® 400 ABS PARTS LIST

Fuel Injection

ITEM NAME	PART NUMBER	QUANTITY
-----------	-------------	----------