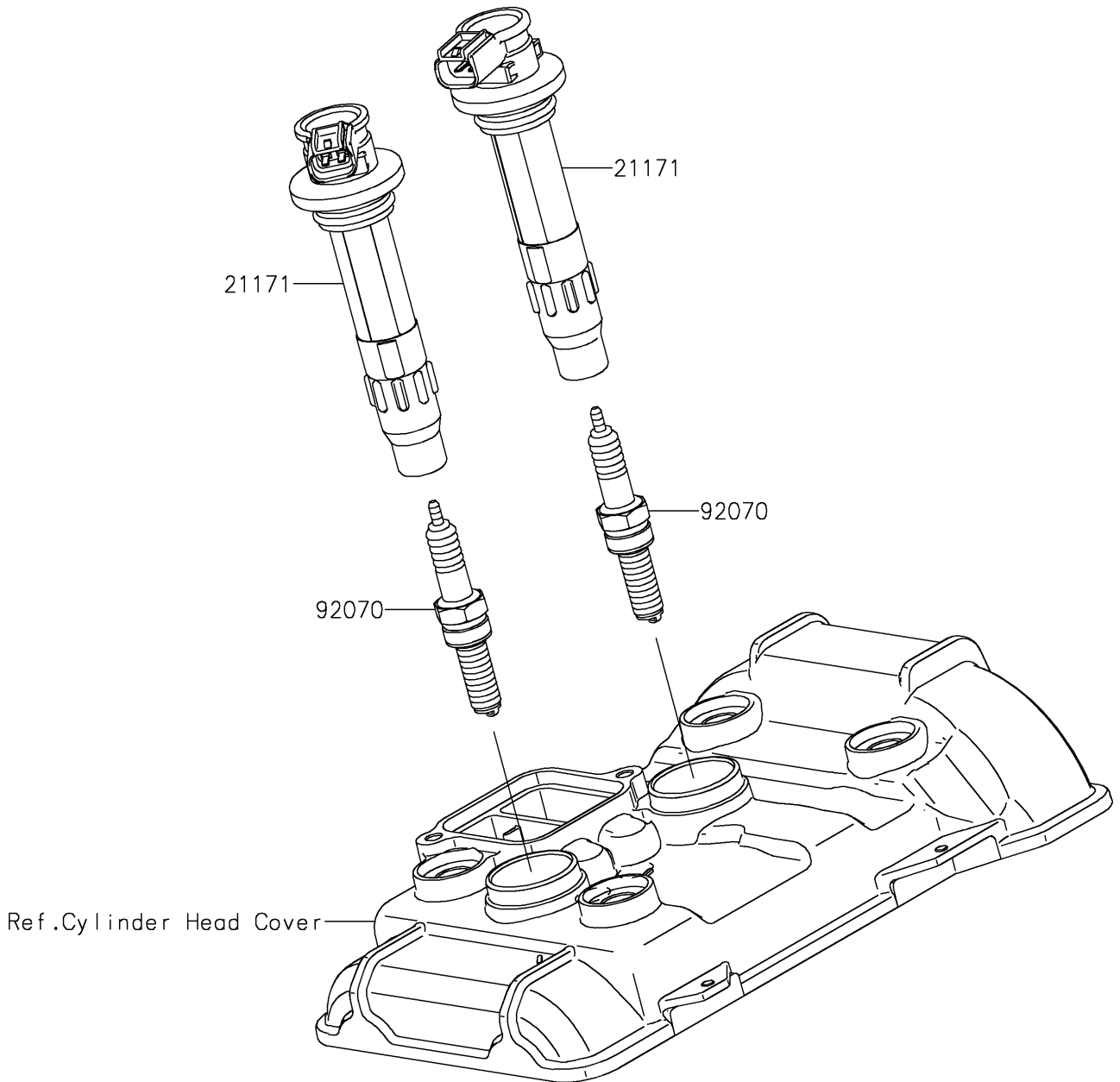


# 2023 Ninja® 400 ABS PARTS DIAGRAM

Ignition System

E1830



# 2023 Ninja® 400 ABS PARTS LIST

Ignition System

ITEM NAME	PART NUMBER	QUANTITY
-----------	-------------	----------