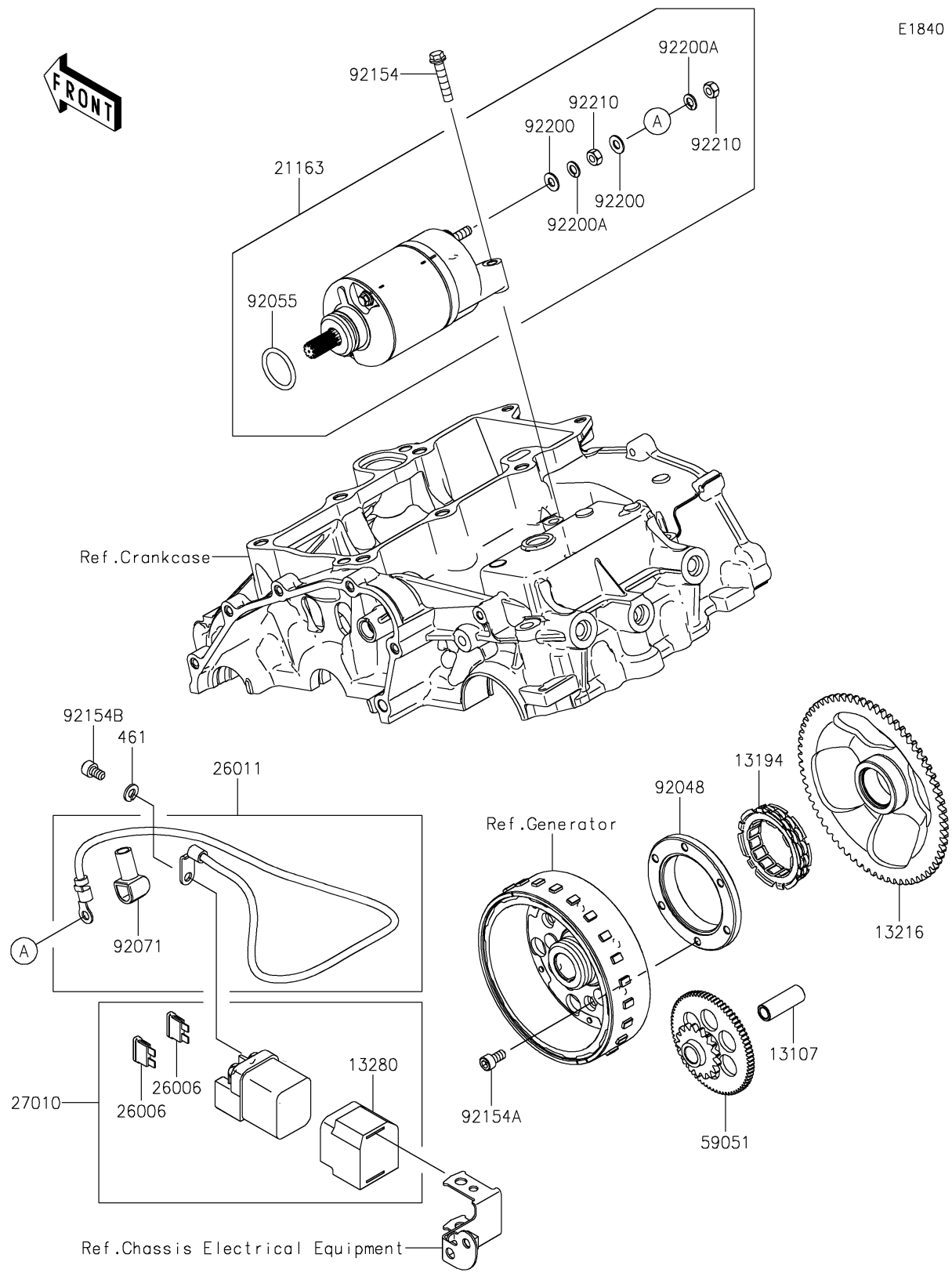


2023 Ninja® 400 ABS PARTS DIAGRAM

Starter Motor

E1840



2023 Ninja® 400 ABS PARTS LIST

Starter Motor

ITEM NAME	PART NUMBER	QUANTITY
-----------	-------------	----------