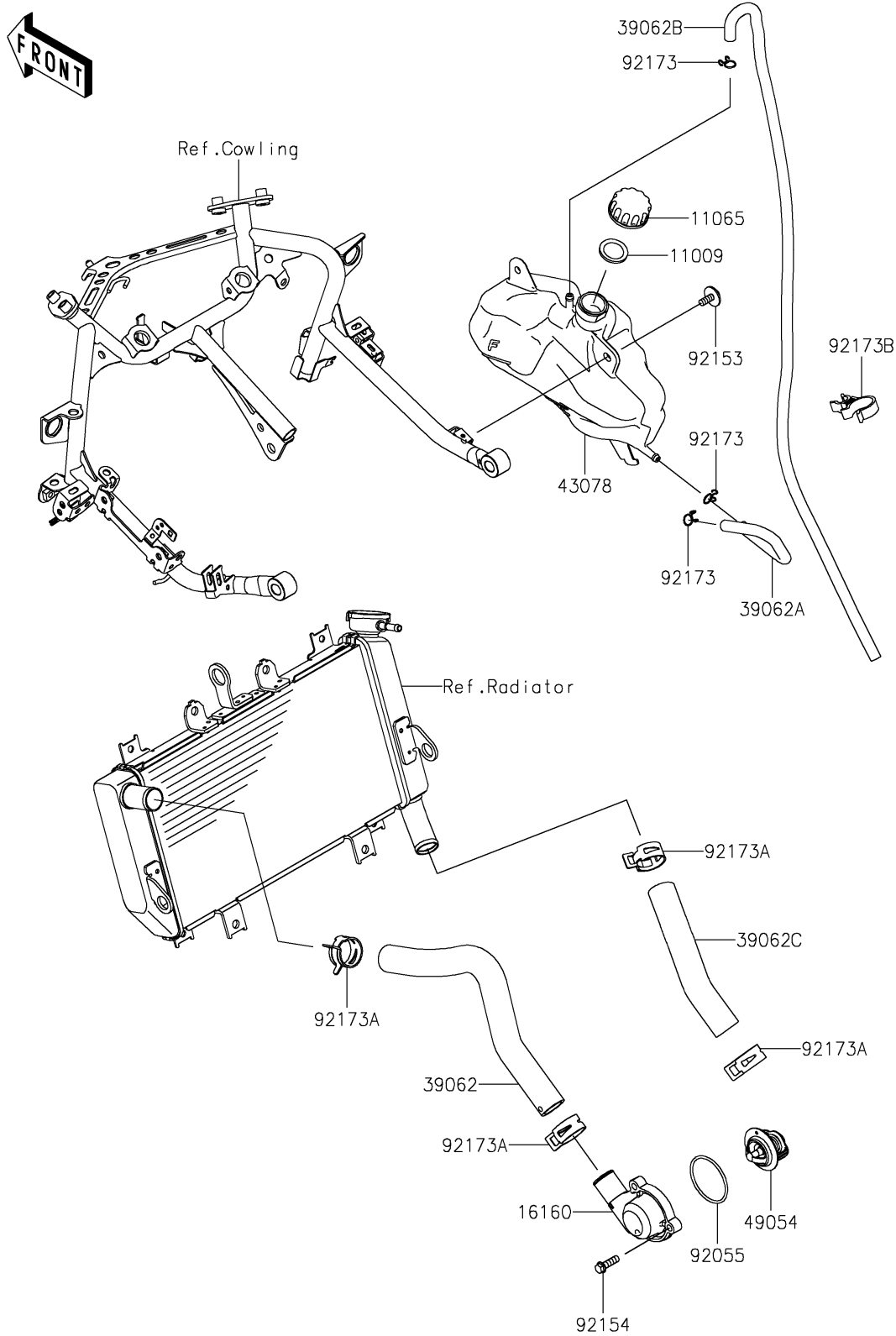


2023 Ninja® 400 ABS PARTS DIAGRAM

Water Pipe

E3037



2023 Ninja® 400 ABS PARTS LIST

Water Pipe

ITEM NAME	PART NUMBER	QUANTITY
-----------	-------------	----------