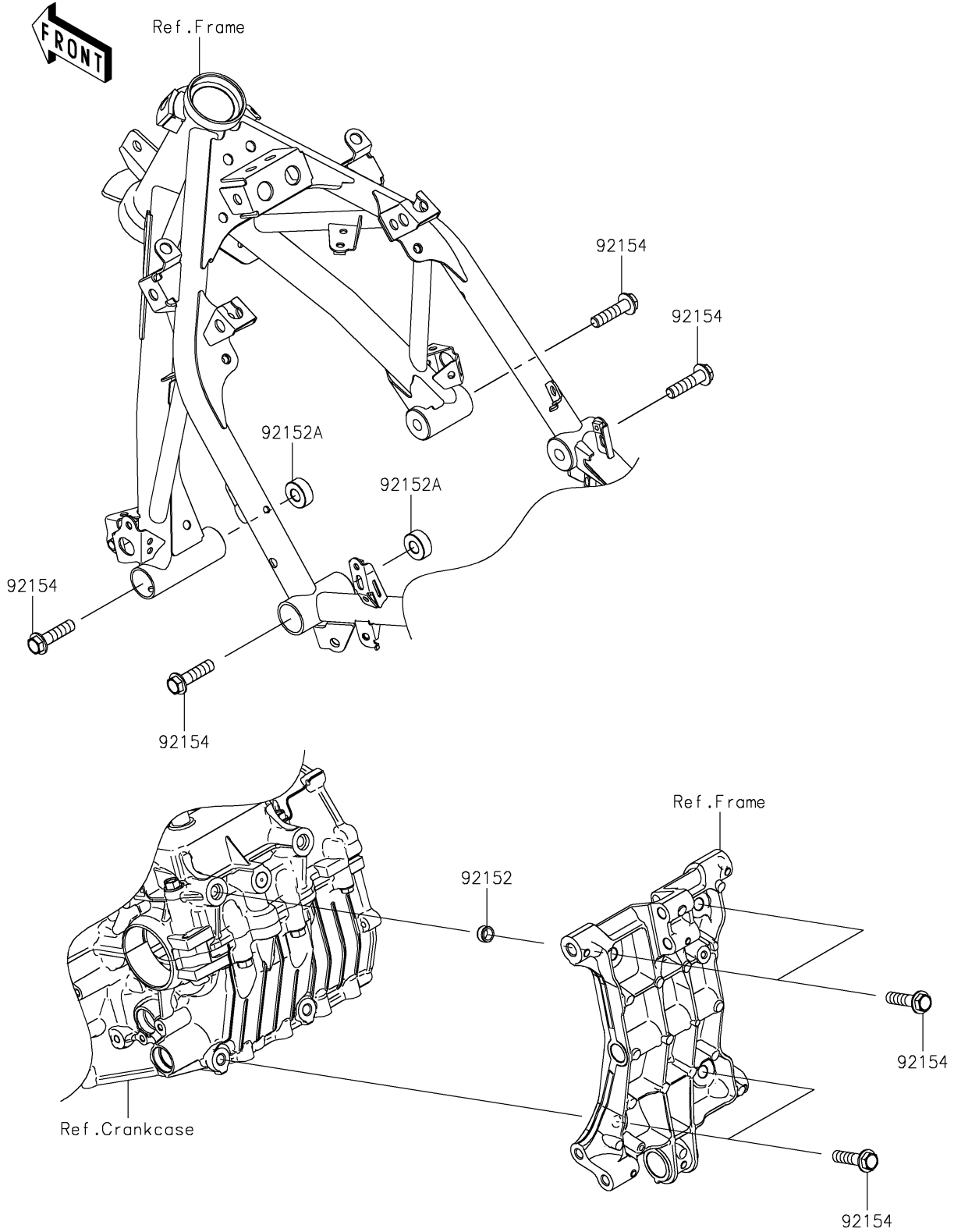


2023 Ninja® 400 ABS PARTS DIAGRAM

Engine Mount

F2122



2023 Ninja® 400 ABS PARTS LIST

Engine Mount

ITEM NAME	PART NUMBER	QUANTITY
-----------	-------------	----------