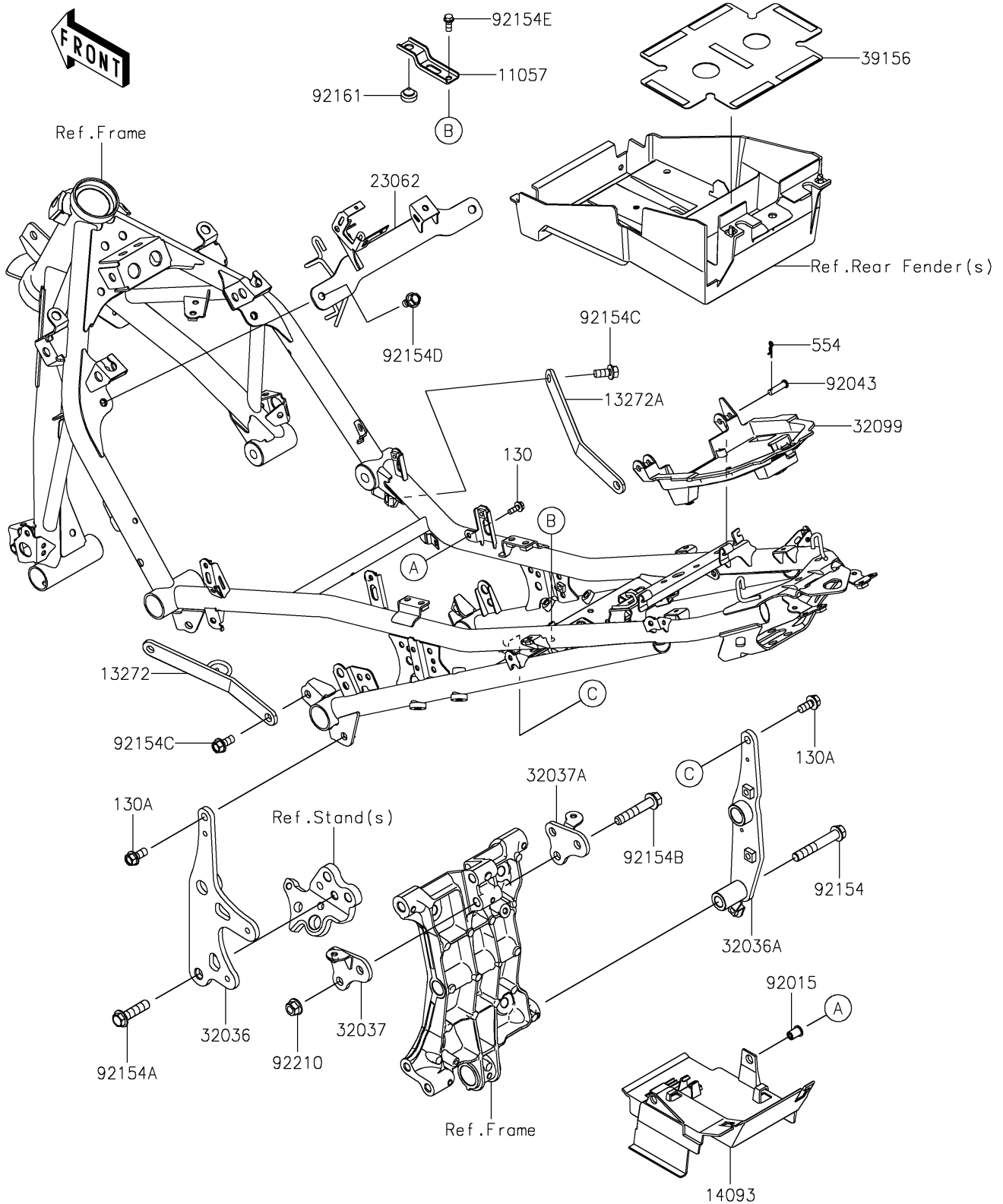


2023 Ninja® 400 ABS PARTS DIAGRAM

Frame Fittings

F2131



2023 Ninja® 400 ABS PARTS LIST

Frame Fittings

ITEM NAME	PART NUMBER	QUANTITY
-----------	-------------	----------