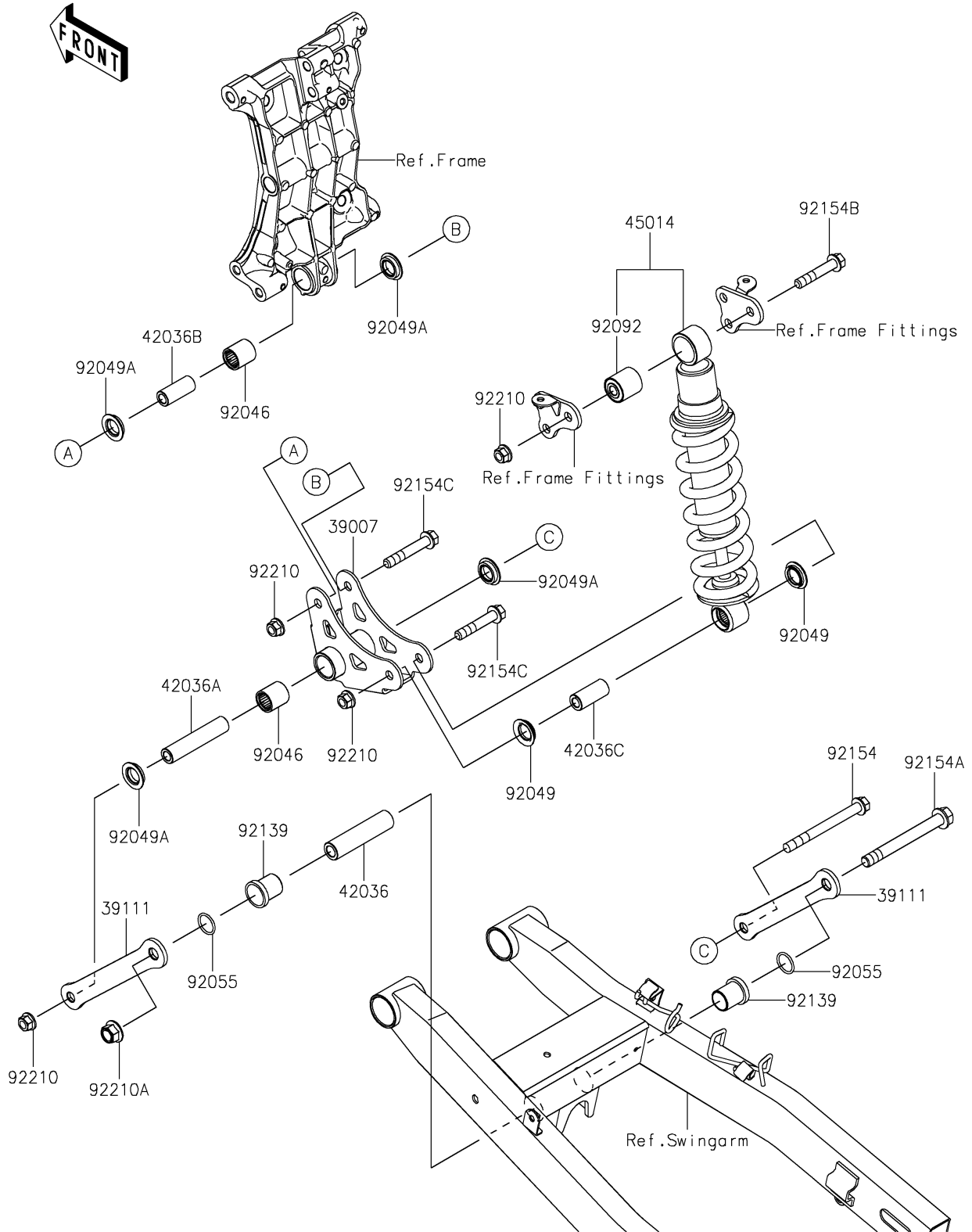


# 2023 Ninja® 400 ABS PARTS DIAGRAM

Suspension/Shock Absorber

F2151



# 2023 Ninja® 400 ABS PARTS LIST

Suspension/Shock Absorber

ITEM NAME	PART NUMBER	QUANTITY
-----------	-------------	----------