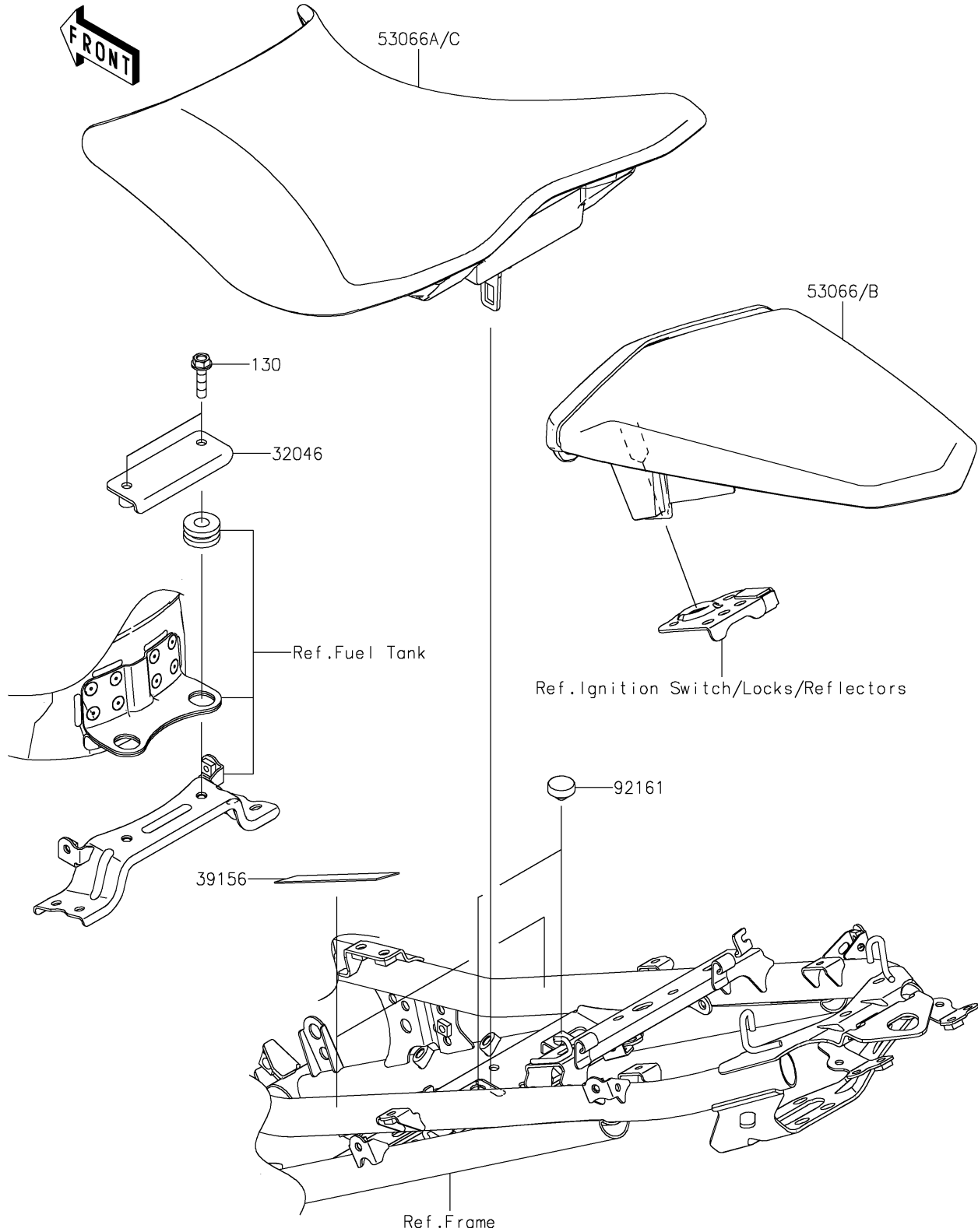


2023 Ninja® 400 ABS PARTS DIAGRAM

Seat

F2510



2023 Ninja® 400 ABS PARTS LIST

Seat

ITEM NAME	PART NUMBER	QUANTITY
-----------	-------------	----------