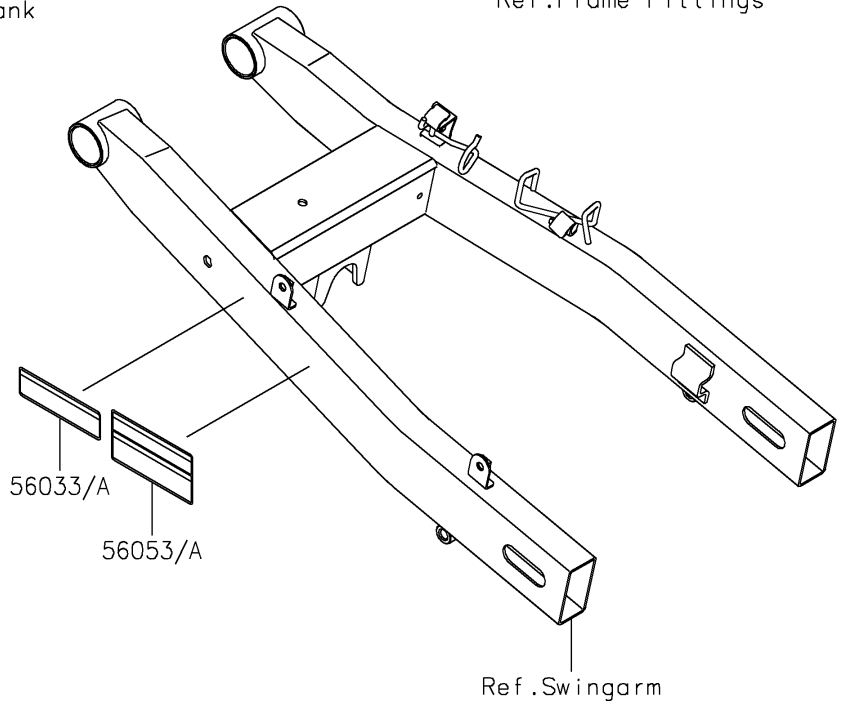
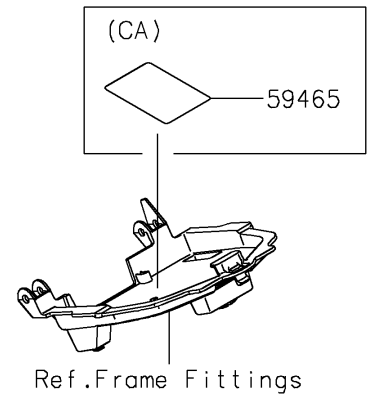
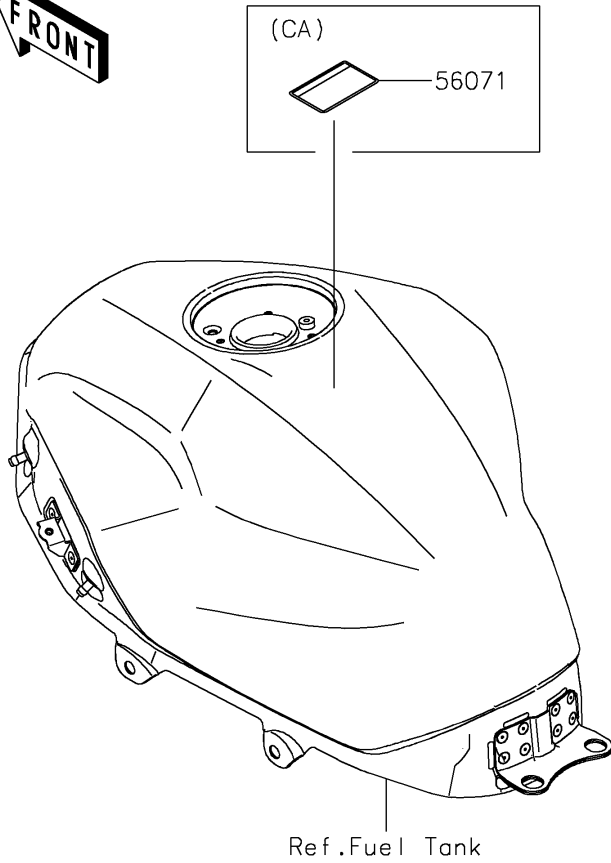


2023 Ninja® 400 ABS PARTS DIAGRAM

Labels

F2860



2023 Ninja® 400 ABS PARTS LIST

Labels

ITEM NAME	PART NUMBER	QUANTITY
-----------	-------------	----------