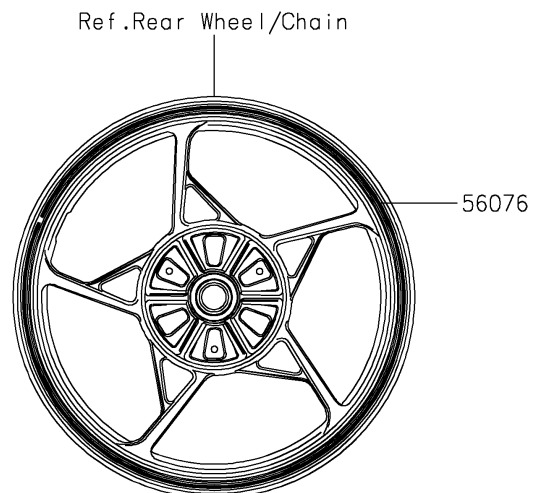
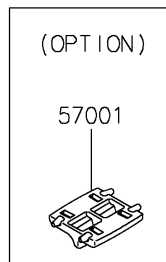
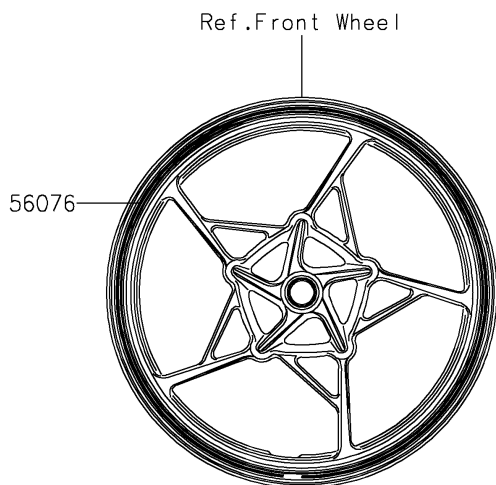
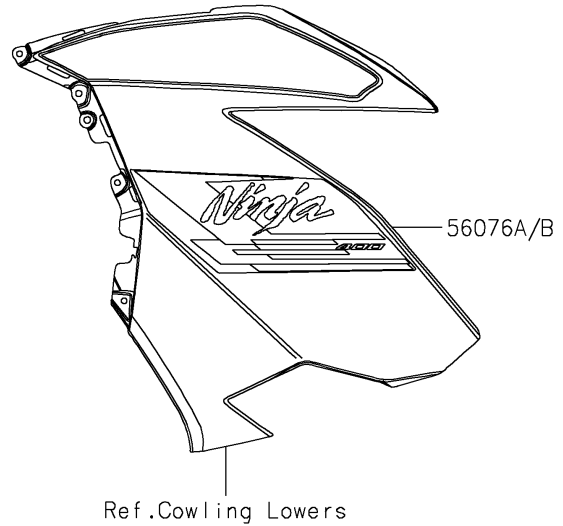
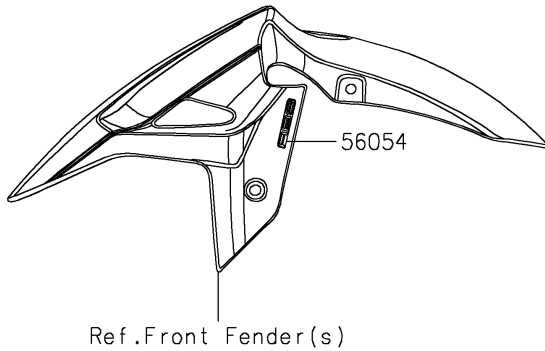
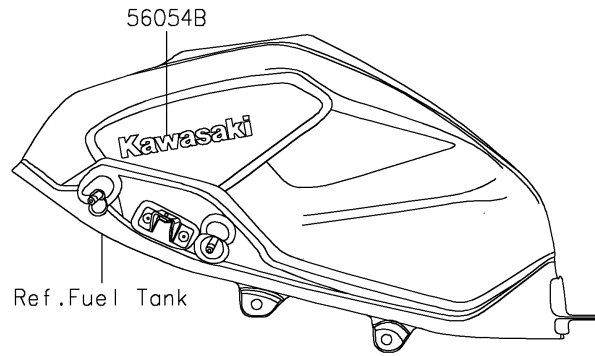
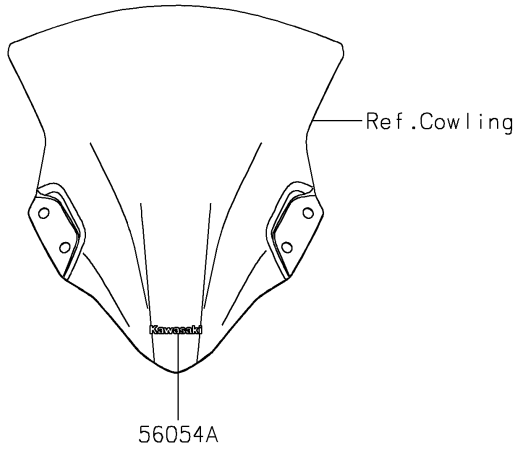


# 2023 Ninja® 400 ABS PARTS DIAGRAM

Decals(Gray)(GPFNN/GPFNL)

F2861



## 2023 Ninja® 400 ABS PARTS LIST

Decals(Gray)(GPFNN/GPFNL)

ITEM NAME	PART NUMBER	QUANTITY
MARK,FR FENDER,ABS (Ref # 56054)	56054-1413	2
MARK,WINDSHIELD,KAWASAKI (Ref # 56054A)	56054-2261	1
MARK,FUEL TANK,KAWASAKI (Ref # 56054B)	56054-3826	2
PATTERN,WHEEL,GRN/BLK,4X1353 (Ref # 56076)	56076-4003	4
PATTERN,SIDE COWLING,LH (Ref # 56076A)	56076-4254	1
PATTERN,SIDE COWLING,RH (Ref # 56076B)	56076-4255	1
RIM STRIPE APPLICATOR (Ref # 57001)	57001-1752	AR