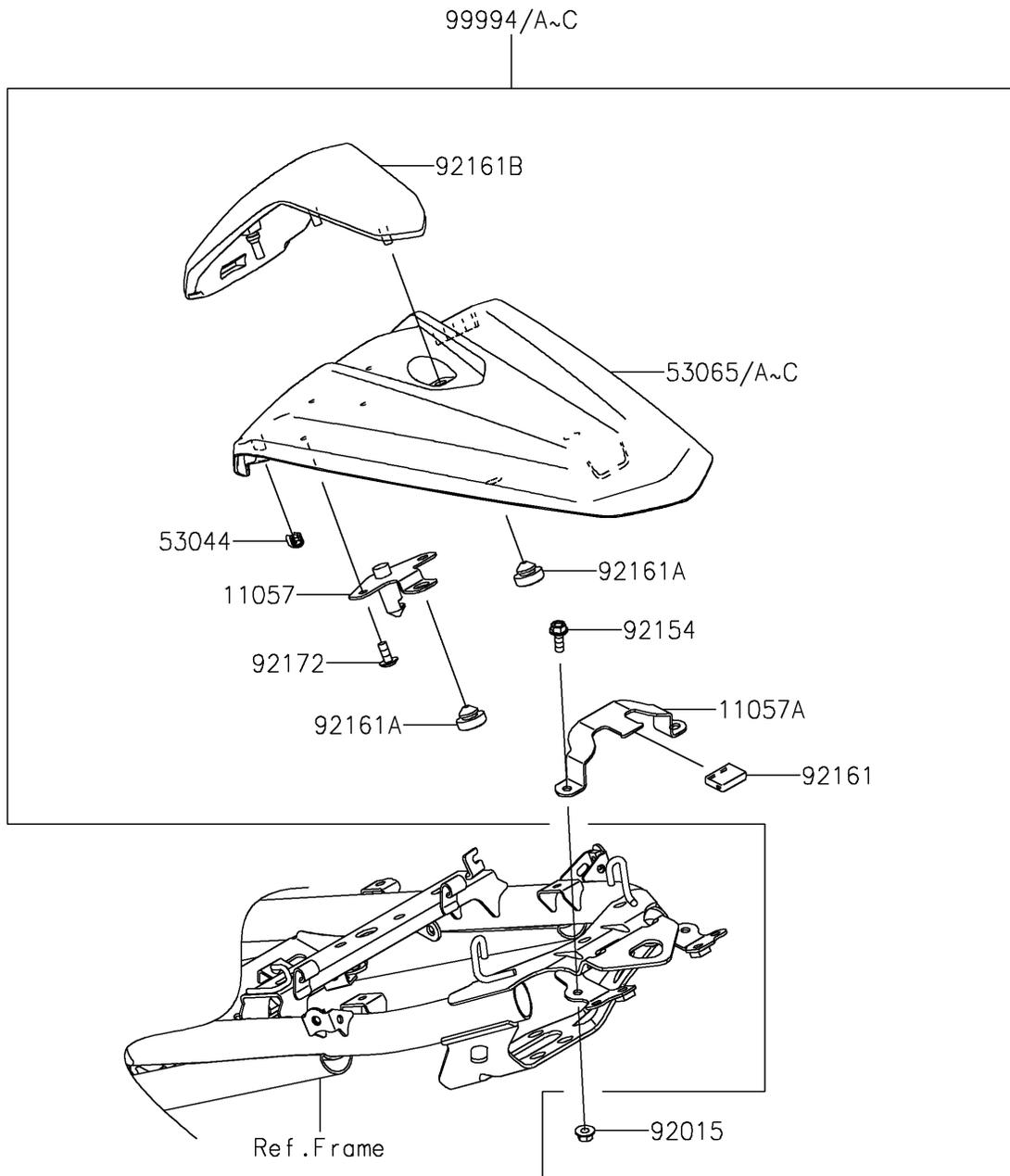


# 2023 Ninja® 400 ABS PARTS DIAGRAM

Accessory(Pillion Seat Cover)

F2910



## 2023 Ninja® 400 ABS PARTS LIST

Accessory(Pillion Seat Cover)

| ITEM NAME                                 | PART NUMBER    | QUANTITY |
|-------------------------------------------|----------------|----------|
| BRACKET,COVER FIX (Ref # 11057)           | 11057-1241     | 1        |
| BRACKET,FRAME FIX (Ref # 11057A)          | 11057-1242     | 1        |
| TRIM,L=20 (Ref # 53044)                   | 53044-0021     | 2        |
| COVER SEAT,M.C.GRAY (Ref # 53065)         | 53065-0044-51A | 1        |
| COVER SEAT,P.B.WHITE (Ref # 53065A)       | 53065-0044-54X | 1        |
| COVER SEAT,L.GREEN (Ref # 53065C)         | 53065-0044-777 | 1        |
| NUT,FLANGED,5MM (Ref # 92015)             | 92015-1656     | 2        |
| BOLT,FLANGED,5X14 (Ref # 92154)           | 92154-2894     | 2        |
| DAMPER,15X21X5.5 (Ref # 92161)            | 92161-1472     | 1        |
| DAMPER,9.5X18X6 (Ref # 92161A)            | 92161-1473     | 3        |
| DAMPER,SEAT COVER (Ref # 92161B)          | 92161-1988     | 1        |
| SCREW,5X12 (Ref # 92172)                  | 92172-0821     | 2        |
| PILLION SEAT COVER,M.C.GRAY (Ref # 99994) | 99994-1038-51A | 1        |
| PILLION SEAT COVER,P.B.WHT (Ref # 99994A) | 99994-1038-54X | 1        |
| PILLION SEAT COVER,L.GREEN (Ref # 99994C) | 99994-1038-777 | 1        |