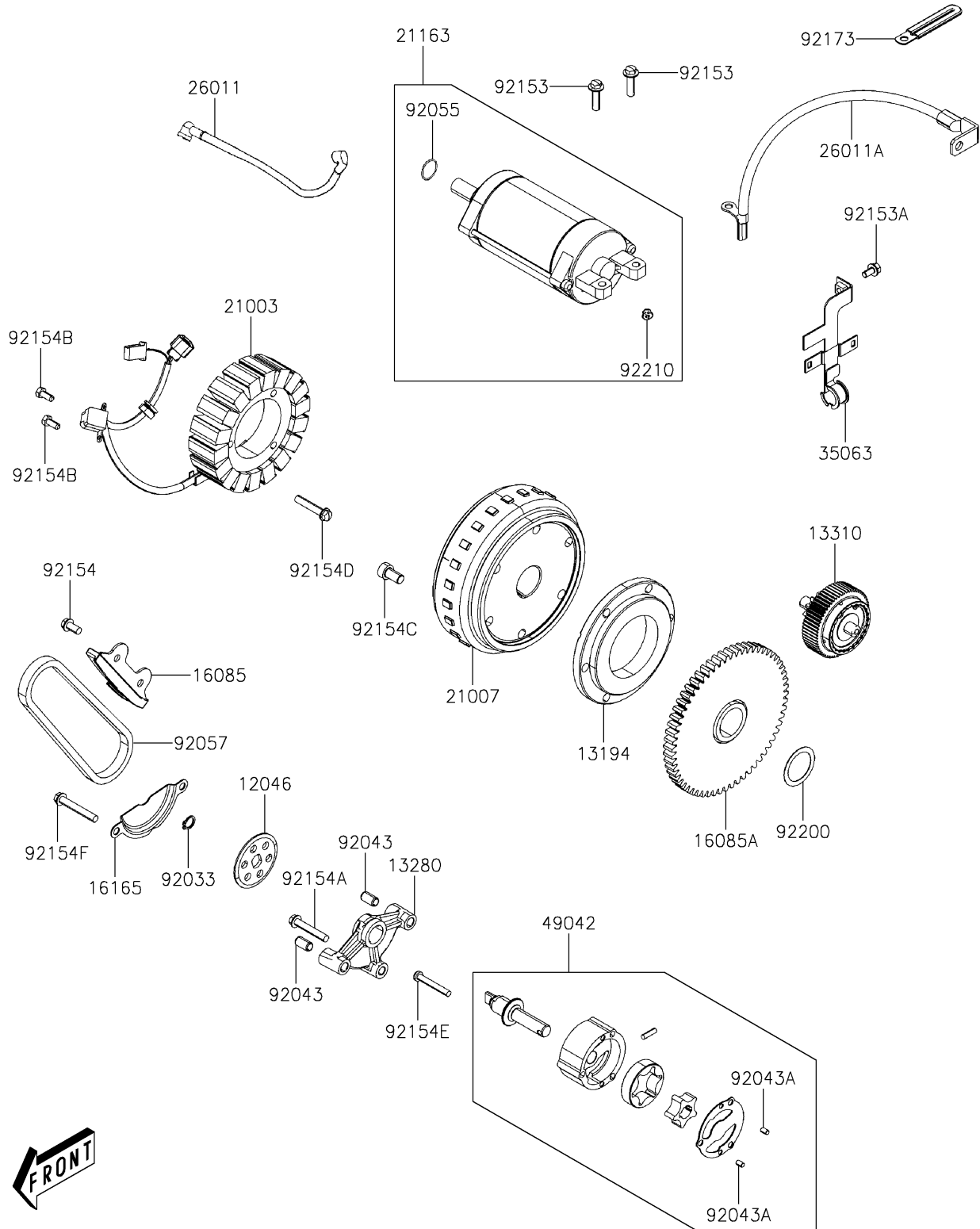


2019 MULE PRO-MX™ EPS PARTS DIAGRAM

Generator

E1810



2019 MULE PRO-MX™ EPS PARTS LIST

Generator

ITEM NAME	PART NUMBER	QUANTITY
SPROCKET,OIL PUMP DRIVE (Ref # 12046)	12046-Y006	1
CLUTCH-ONEWAY (Ref # 13194)	13194-Y001	1
HOLDER,OIL PUMP SHAFT (Ref # 13280)	13280-Y018	1
SHAFT-ASSY,REDUCTION (Ref # 13310)	13310-Y002	1
GEAR,START REDUCTION (Ref # 16085)	16085-Y017	1
GEAR,STARTING CLUTCH (Ref # 16085A)	16085-Y018	1
SEPARATOR,OIL (Ref # 16165)	16165-Y007	1
STATOR (Ref # 21003)	21003-Y010	1
ROTOR (Ref # 21007)	21007-Y010	1
STARTER-ELECTRIC (Ref # 21163)	21163-Y006	1
WIRE-LEAD,STARTER MOTOR (Ref # 26011)	26011-Y010	1
WIRE-LEAD,EARTH (Ref # 26011A)	26011-Y013	1
STAY (Ref # 35063)	35063-Y036	1
PUMP-OIL,ASSY (Ref # 49042)	49042-Y006	1
RING-SNAP,10MM (Ref # 92033)	92033-Y019	1
PIN,8X14 (Ref # 92043)	92043-Y012	2
PIN,DOWEL,4X65 (Ref # 92043A)	92043-Y015	2
RING-O,24.4X3.1 (Ref # 92055)	92055-Y025	1
CHAIN,OIL PUMP (Ref # 92057)	92057-Y013	1
BOLT,FLANGE,6X22 (Ref # 92153)	92153-Y003	2
BOLT,5X10 (Ref # 92153A)	92153-Y058	1
BOLT,FLANGE,6X12 (Ref # 92154)	92154-Y035	2
BOLT,FLANGE,6X35 (Ref # 92154A)	92154-Y069	1
BOLT,HEX,5X12 (Ref # 92154B)	92154-Y111	2
BOLT,8X15 (Ref # 92154C)	92154-Y123	6
BOLT,FLANGE,6X32 (Ref # 92154D)	92154-Y128	3
BOLT,5X35 (Ref # 92154E)	92154-Y185	3
BOLT,FLANGE,6X40 (Ref # 92154F)	92154-Y209	2
CLAMP (Ref # 92173)	92173-Y004	1

2019 MULE PRO-MX™ EPS PARTS LIST

Generator

ITEM NAME	PART NUMBER	QUANTITY
WASHER,27.2X36X0.5 (Ref # 92200)	92200-Y097	1
NUT,6MM (Ref # 92210)	92210-Y039	1