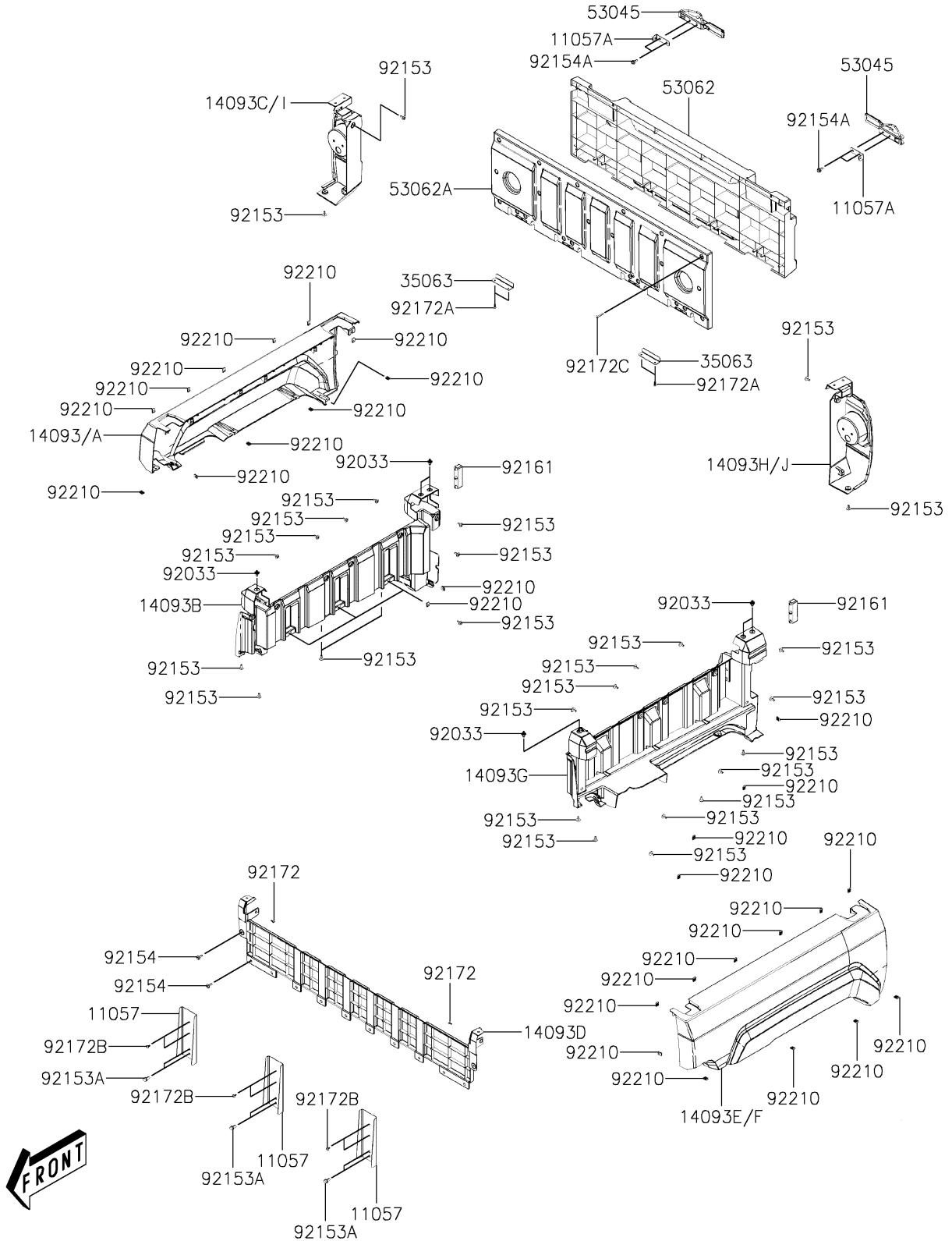


2019 MULE PRO-MX™ EPS PARTS DIAGRAM

Rear Fender(s)(BKF)

F2172



2019 MULE PRO-MX™ EPS PARTS LIST

Rear Fender(s)(BKF)

ITEM NAME	PART NUMBER	QUANTITY
BRACKET,CARGO BED (Ref # 11057)	11057-Y016	3
BRACKET,STOPPER (Ref # 11057A)	11057-Y018	2
COVER,SIDE,OUTER,RH,B.WHITE (Ref # 14093)	14093-Y031-932	1
COVER,SIDE,OUTER,RH,T.GREEN (Ref # 14093A)	14093-Y031-973	1
COVER,SIDE,INNER,RH,S.BLACK (Ref # 14093B)	14093-Y032-933	1
COVER,TAIL LIGHT,RH,S.BLACK (Ref # 14093C)	14093-Y033-933	1
COVER,FRONT CARRIER (Ref # 14093D)	14093-Y034	1
COVER,SIDE,OUTER,LH,B.WHITE (Ref # 14093E)	14093-Y035-932	1
COVER,SIDE,OUTER,LH,T.GREEN (Ref # 14093F)	14093-Y035-973	1
COVER,SIDE,INNER,LH,S.BLACK (Ref # 14093G)	14093-Y036-933	1
COVER,TAIL LIGHT,LH,S.BLACK (Ref # 14093H)	14093-Y037-933	1
COVER,TAIL LIGHT,RH,S.BLACK (Ref # 14093I)	14093-Y040-933	1
COVER,TAIL LIGHT,LH,S.BLACK (Ref # 14093J)	14093-Y041-933	1
STAY,HINGE (Ref # 35063)	35063-Y044	2
HOOK-ASSY (Ref # 53045)	53045-Y001	2
GATE-TAIL,OUTER,S.BLACK (Ref # 53062)	53062-Y001-933	1
GATE-TAIL,INNER (Ref # 53062A)	53062-Y002	1
RING-SNAP (Ref # 92033)	92033-Y033	6
BOLT,5X16 (Ref # 92153)	92153-Y013	30
BOLT,FLANGE,8X16 (Ref # 92153A)	92153-Y032	6
BOLT,6X18 (Ref # 92154)	92154-Y177	12
BOLT,FLANGE,6MM (Ref # 92154A)	92154-Y182	4
DAMPER (Ref # 92161)	92161-Y053	2
SCREW,4X12 (Ref # 92172)	92172-Y019	2
SCREW,TAPPING,5X16 (Ref # 92172A)	92172-Y020	4
SCREW,TAPPING,5X12 (Ref # 92172B)	92172-Y038	6
SCREW,TAPPING,5X30 (Ref # 92172C)	92172-Y083	22
NUT,5MM (Ref # 92210)	92210-Y016	30