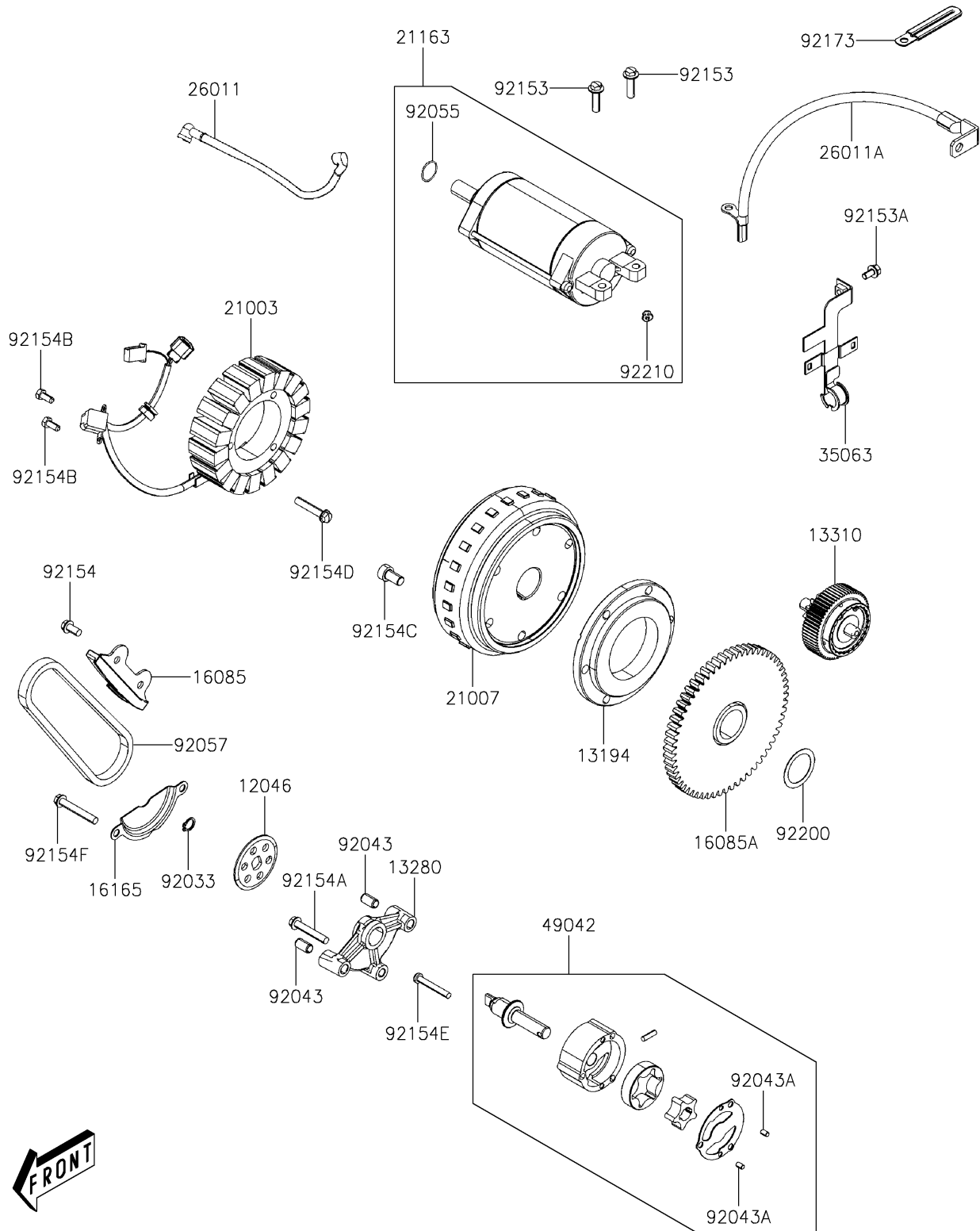


2020 MULE PRO-MX™ EPS CAMO PARTS DIAGRAM

Generator

E1810



2020 MULE PRO-MX™ EPS CAMO PARTS LIST

Generator

| ITEM NAME | PART NUMBER | QUANTITY |
|---------------------------------------|-------------|----------|
| SPROCKET,OIL PUMP DRIVE (Ref # 12046) | 12046-Y006 | 1 |
| CLUTCH-ONEWAY (Ref # 13194) | 13194-Y001 | 1 |
| HOLDER,OIL PUMP SHAFT (Ref # 13280) | 13280-Y018 | 1 |
| SHAFT-ASSY,REDUCTION (Ref # 13310) | 13310-Y002 | 1 |
| GEAR,START REDUCTION (Ref # 16085) | 16085-Y017 | 1 |
| GEAR,STARTING CLUTCH (Ref # 16085A) | 16085-Y018 | 1 |
| SEPARATOR,OIL (Ref # 16165) | 16165-Y007 | 1 |
| STATOR (Ref # 21003) | 21003-Y010 | 1 |
| ROTOR (Ref # 21007) | 21007-Y010 | 1 |
| STARTER-ELECTRIC (Ref # 21163) | 21163-Y006 | 1 |
| WIRE-LEAD,STARTER MOTOR (Ref # 26011) | 26011-Y010 | 1 |
| WIRE-LEAD,EARTH (Ref # 26011A) | 26011-Y013 | 1 |
| STAY (Ref # 35063) | 35063-Y036 | 1 |
| PUMP-OIL,ASSY (Ref # 49042) | 49042-Y006 | 1 |
| RING-SNAP,10MM (Ref # 92033) | 92033-Y019 | 1 |
| PIN,8X14 (Ref # 92043) | 92043-Y012 | 2 |
| PIN,DOWEL,4X65 (Ref # 92043A) | 92043-Y015 | 2 |
| RING-O,24.4X3.1 (Ref # 92055) | 92055-Y025 | 1 |
| CHAIN,OIL PUMP (Ref # 92057) | 92057-Y013 | 1 |
| BOLT,FLANGE,6X22 (Ref # 92153) | 92153-Y003 | 2 |
| BOLT,5X10 (Ref # 92153A) | 92153-Y058 | 1 |
| BOLT,FLANGE,6X12 (Ref # 92154) | 92154-Y035 | 2 |
| BOLT,FLANGE,6X35 (Ref # 92154A) | 92154-Y069 | 1 |
| BOLT,HEX,5X12 (Ref # 92154B) | 92154-Y111 | 2 |
| BOLT,8X15 (Ref # 92154C) | 92154-Y123 | 6 |
| BOLT,FLANGE,6X32 (Ref # 92154D) | 92154-Y128 | 3 |
| BOLT,5X35 (Ref # 92154E) | 92154-Y185 | 3 |
| BOLT,FLANGE,6X40 (Ref # 92154F) | 92154-Y209 | 2 |
| CLAMP (Ref # 92173) | 92173-Y004 | 1 |

2020 MULE PRO-MX™ EPS CAMO PARTS LIST

Generator

| ITEM NAME | PART NUMBER | QUANTITY |
|----------------------------------|-------------|----------|
| WASHER,27.2X36X0.5 (Ref # 92200) | 92200-Y097 | 1 |
| NUT,6MM (Ref # 92210) | 92210-Y039 | 1 |