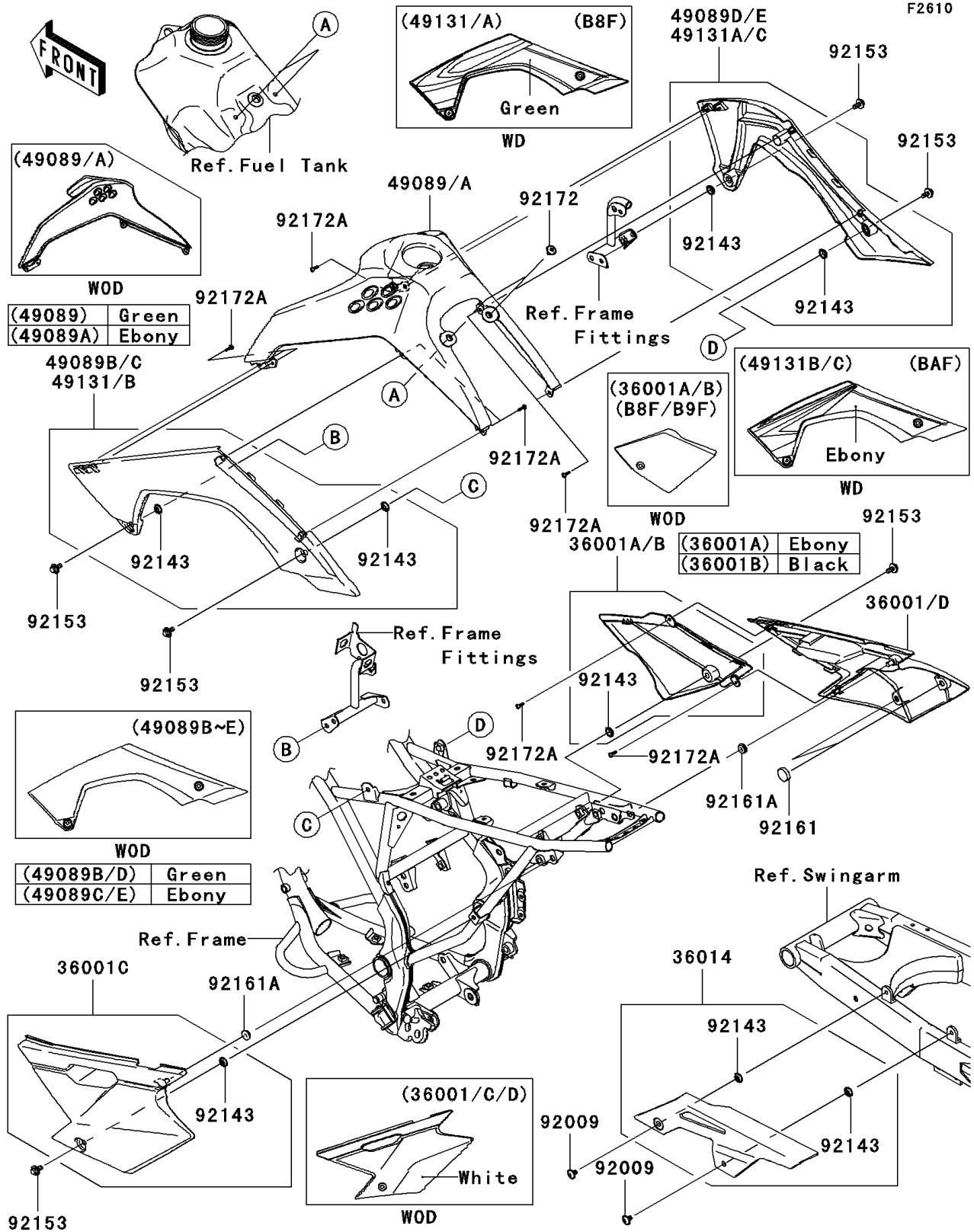


2009 KLX®140L PARTS DIAGRAM

Side Covers/Chain Cover



2009 KLX®140L PARTS LIST

Side Covers/Chain Cover

ITEM NAME	PART NUMBER	QUANTITY
-----------	-------------	----------