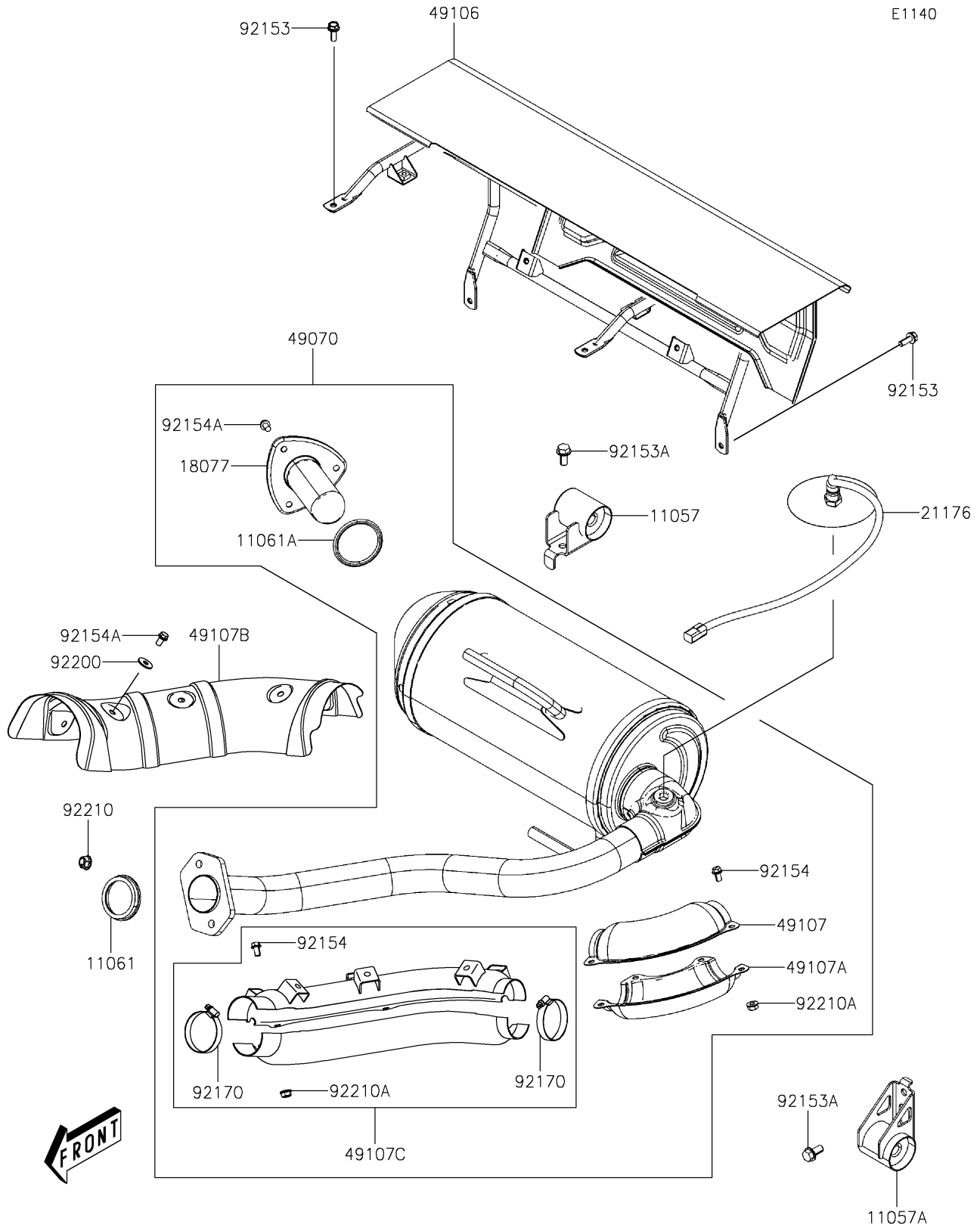


2022 Mule PRO-MX PARTS DIAGRAM

Muffler(s)



2022 Mule PRO-MX PARTS LIST

Muffler(s)

| ITEM NAME | PART NUMBER | QUANTITY |
|--|-------------|----------|
| BRACKET (Ref # 11057) | 11057-Y001 | 1 |
| BRACKET (Ref # 11057A) | 11057-Y002 | 1 |
| GASKET,EXHAUST PIPE (Ref # 11061) | 11061-Y065 | 1 |
| GASKET,SPARK ARRESTER (Ref # 11061A) | 11061-Y066 | 1 |
| ARRESTER-SPARK (Ref # 18077) | 18077-Y003 | 1 |
| SENSOR,OXYGEN (Ref # 21176) | 21176-0936 | 1 |
| MUFFLER-COMP (Ref # 49070) | 49070-Y001 | 1 |
| COVER-MUFFLER (Ref # 49106) | 49106-Y005 | 1 |
| COVER-EXHAUST PIPE,RR,UPP (Ref # 49107) | 49107-Y005 | 1 |
| COVER-EXHAUST PIPE,RR,LWR (Ref # 49107A) | 49107-Y006 | 1 |
| COVER-EXHAUST PIPE,UPP (Ref # 49107B) | 49107-Y009 | 1 |
| COVER-EXHAUST PIPE,FR,UPP&LWR (Ref # 49107C) | 49107-Y010 | 1 |
| BOLT,FLANGE,6X12 (Ref # 92153) | 92153-Y023 | 4 |
| BOLT,FLANGE,8X16 (Ref # 92153A) | 92153-Y032 | 2 |
| BOLT,FLANGE,6X10 (Ref # 92154) | 92154-Y166 | 6 |
| BOLT,FLANGE,6X12 (Ref # 92154A) | 92154-Y225 | 9 |
| CLAMP (Ref # 92170) | 92170-1674 | 2 |
| WASHER,6.5X17.7X1.5 (Ref # 92200) | 92200-Y104 | 6 |
| NUT,8MM (Ref # 92210) | 92210-Y076 | 2 |
| NUT,FLANGE,6MM (Ref # 92210A) | 92210-Y098 | 6 |