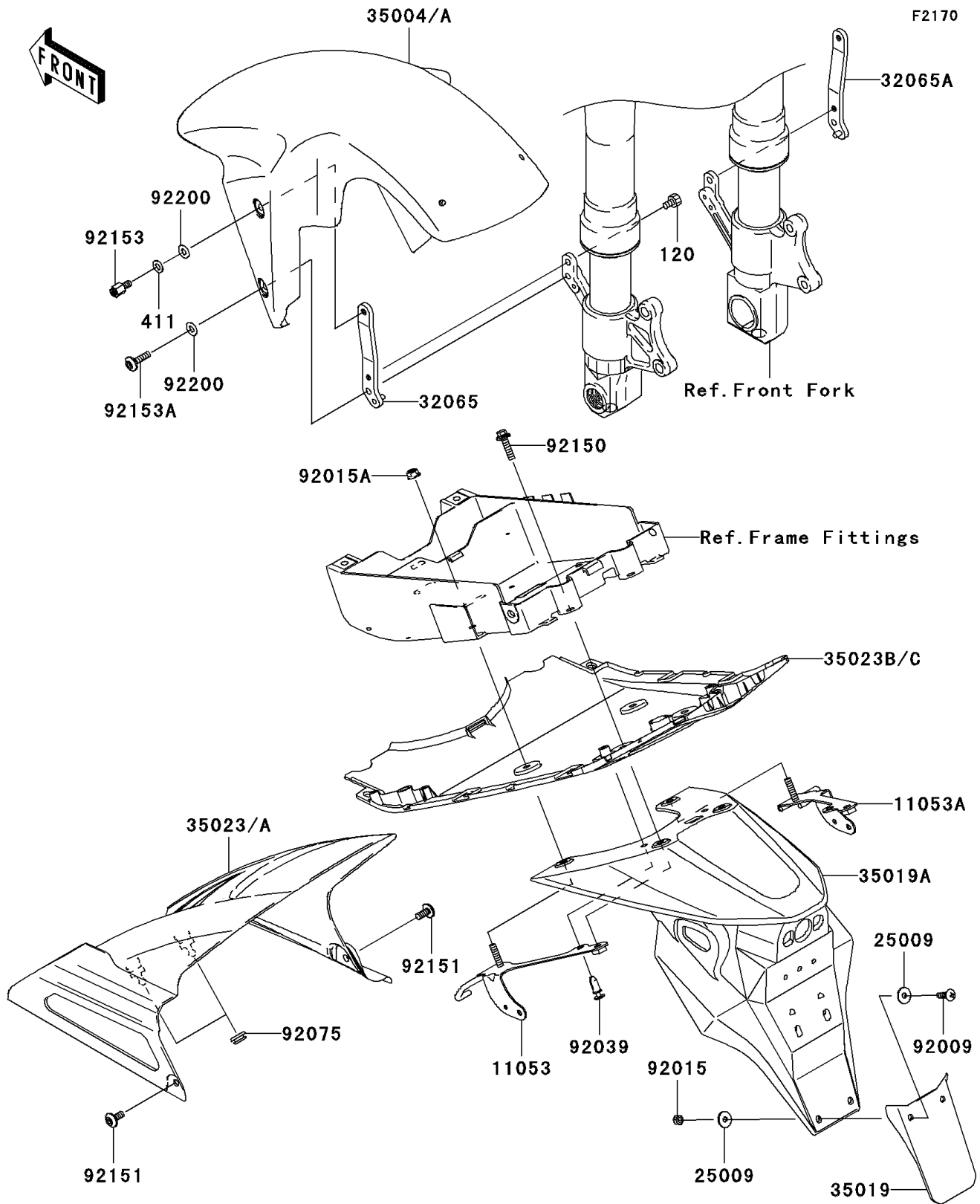


2006 Z1000 PARTS DIAGRAM

Fenders



2006 Z1000 PARTS LIST

Fenders

ITEM NAME	PART NUMBER	QUANTITY
BOLT-SOCKET,6X10 (Ref # 120)	120S0610	2
WASHER-PLAIN,6MM,BLACK (Ref # 411)	411F0600	2
BRACKET,FLAP,LH (Ref # 11053)	11053-0060	1
BRACKET,FLAP,RH (Ref # 11053A)	11053-0061	1
WASHER,5.2X16X1.2 (Ref # 25009)	25009-004	4
BRACKET-FENDER,LH (Ref # 32065)	32065-1376	1
BRACKET-FENDER,RH (Ref # 32065A)	32065-1377	1
FENDER-FRONT,BLUE (Ref # 35004)	35004-0024-10E	1
FLAP (Ref # 35019)	35019-0006	1
FLAP,REAR FENDER (Ref # 35019A)	35019-0007	1
FENDER-REAR,INNER,BLUE (Ref # 35023)	35023-1597-10E	1
FENDER-REAR,CNT,BLUE (Ref # 35023B)	35023-1602-10E	1
SCREW,5X14 (Ref # 92009)	92009-1653	2
NUT,LOCK,5MM (Ref # 92015)	92015-1221	2
NUT,LOCK,FLANGED,6MM (Ref # 92015A)	92015-1603	2
RIVET (Ref # 92039)	92039-1286	2
DAMPER (Ref # 92075)	92075-1011	2
BOLT,6X25 (Ref # 92150)	92150-1829	2
BOLT,SOCKET,6X14 (Ref # 92151)	92151-1654	2
BOLT,6MM (Ref # 92153)	92153-0335	2
BOLT,SOCKET,6X23 (Ref # 92153A)	92153-1267	2
WASHER,6.5X14X1 (Ref # 92200)	92200-1388	4
FENDER-FRONT,TITANIUM (Ref # 35004A)	35004-0024-725	1
FENDER-REAR,INNER,TITANIUM (Ref # 35023A)	35023-1597-725	1
FENDER-REAR,CNT,TITANIUM (Ref # 35023C)	35023-1602-725	1