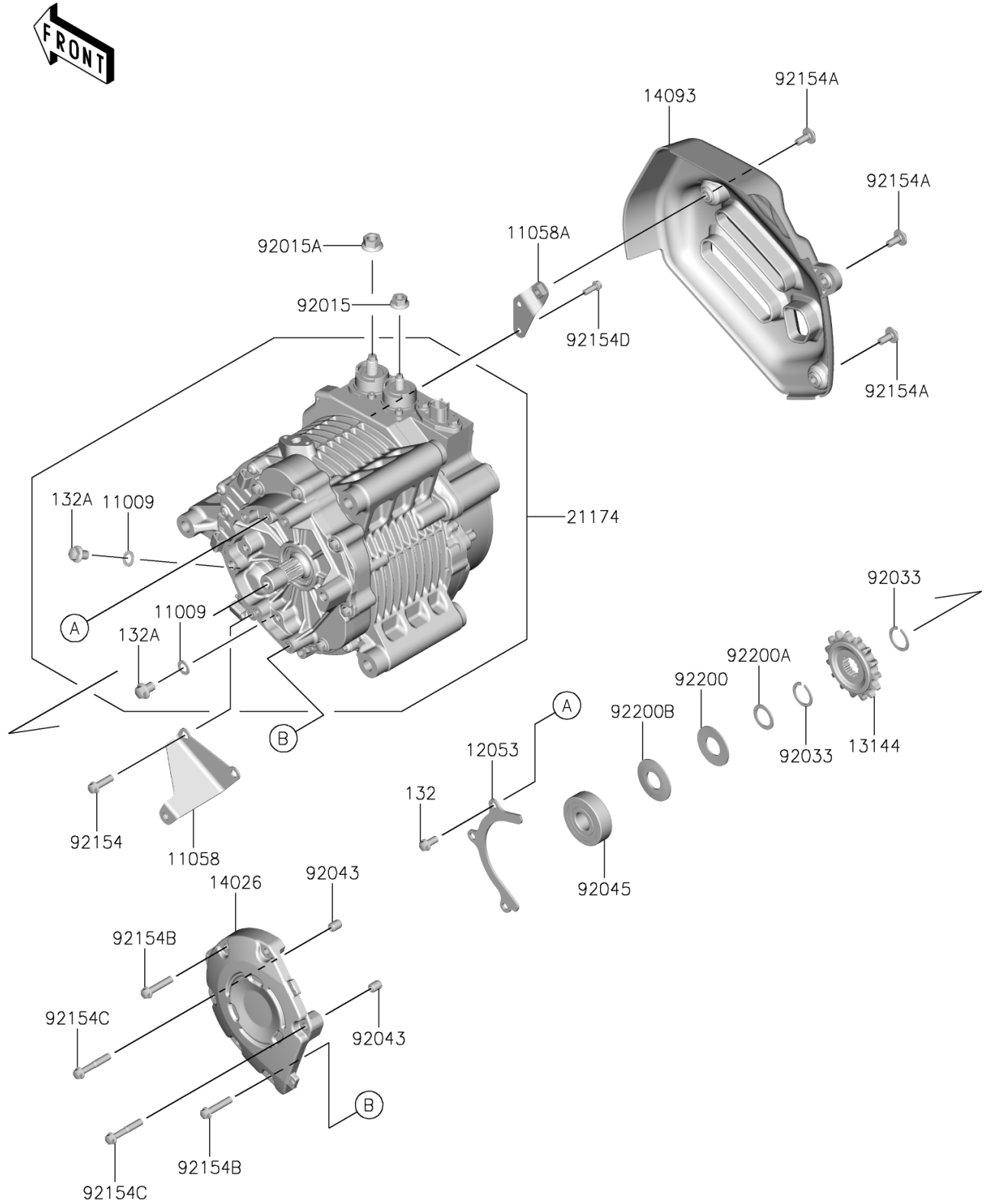


2024 NINJA® e-1 ABS PARTS DIAGRAM

Electric Motor

E1750



2024 NINJA® e-1 ABS PARTS LIST

Electric Motor

ITEM NAME	PART NUMBER	QUANTITY
GASKET,8.2X14X1.0 (Ref # 11009)	11009-1344	2
BRACKET (Ref # 11058)	11058-0756	1
BRACKET,MOTOR RH (Ref # 11058A)	11058-0779	1
GUIDE-CHAIN (Ref # 12053)	12053-0334	1
SPROCKET-OUTPUT,15T (Ref # 13144)	13144-0583	1
COVER-CHAIN (Ref # 14026)	14026-0160	1
COVER,MOTOR RH (Ref # 14093)	14093-1485	1
MOTOR-ELECTRIC (Ref # 21174)	21174-0029	1
NUT,FLANGED,8MM (Ref # 92015)	92015-1014	1
NUT,10MM (Ref # 92015A)	92015-1021	1
RING-SNAP,18MM (Ref # 92033)	92033-029	2
PIN,DOWEL,8X10 (Ref # 92043)	92043-1302	2
BEARING-BALL,17X47X14 (Ref # 92045)	92045-0996	1
BOLT,FLANGED,6X20 (Ref # 92154)	92154-2130	2
BOLT,SOCKET,6X14 (Ref # 92154A)	92154-2735	3
BOLT-FLANGED,6X28 (Ref # 92154B)	92154-7115	4
BOLT-FLANGED,6X35 (Ref # 92154C)	92154-7173	2
BOLT-FLANGED,5X14 (Ref # 92154D)	92154-7197	2
WASHER,DRIVEN GEAR CENTER (Ref # 92200)	92200-2615	1
WASHER,DRIVEN GEAR UNDER (Ref # 92200A)	92200-2616	1
WASHER,DRIVEN GEAR TOP (Ref # 92200B)	92200-2617	1
BOLT-FLANGED-SMALL,6X12 (Ref # 132)	132BA0612	3
BOLT-FLANGED-SMALL,8X10 (Ref # 132A)	132BB0810	2