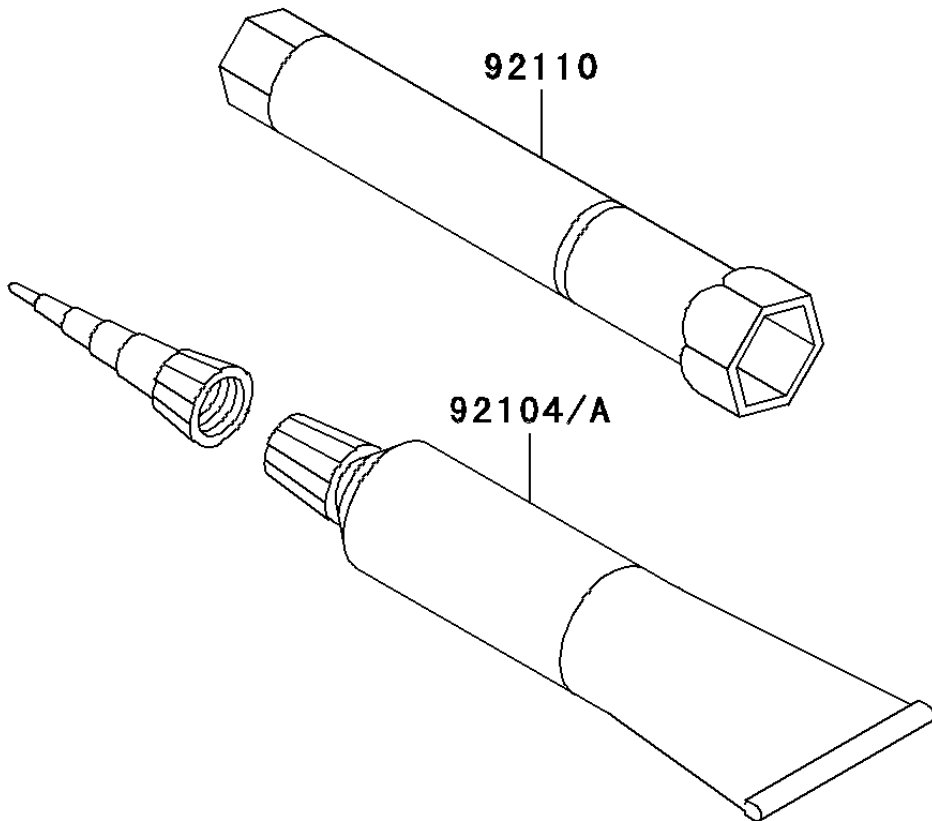


2009 KLX®140L PARTS DIAGRAM

Owner's Tools

F2810



2009 KLX®140L PARTS LIST

Owner's Tools

ITEM NAME	PART NUMBER	QUANTITY
-----------	-------------	----------