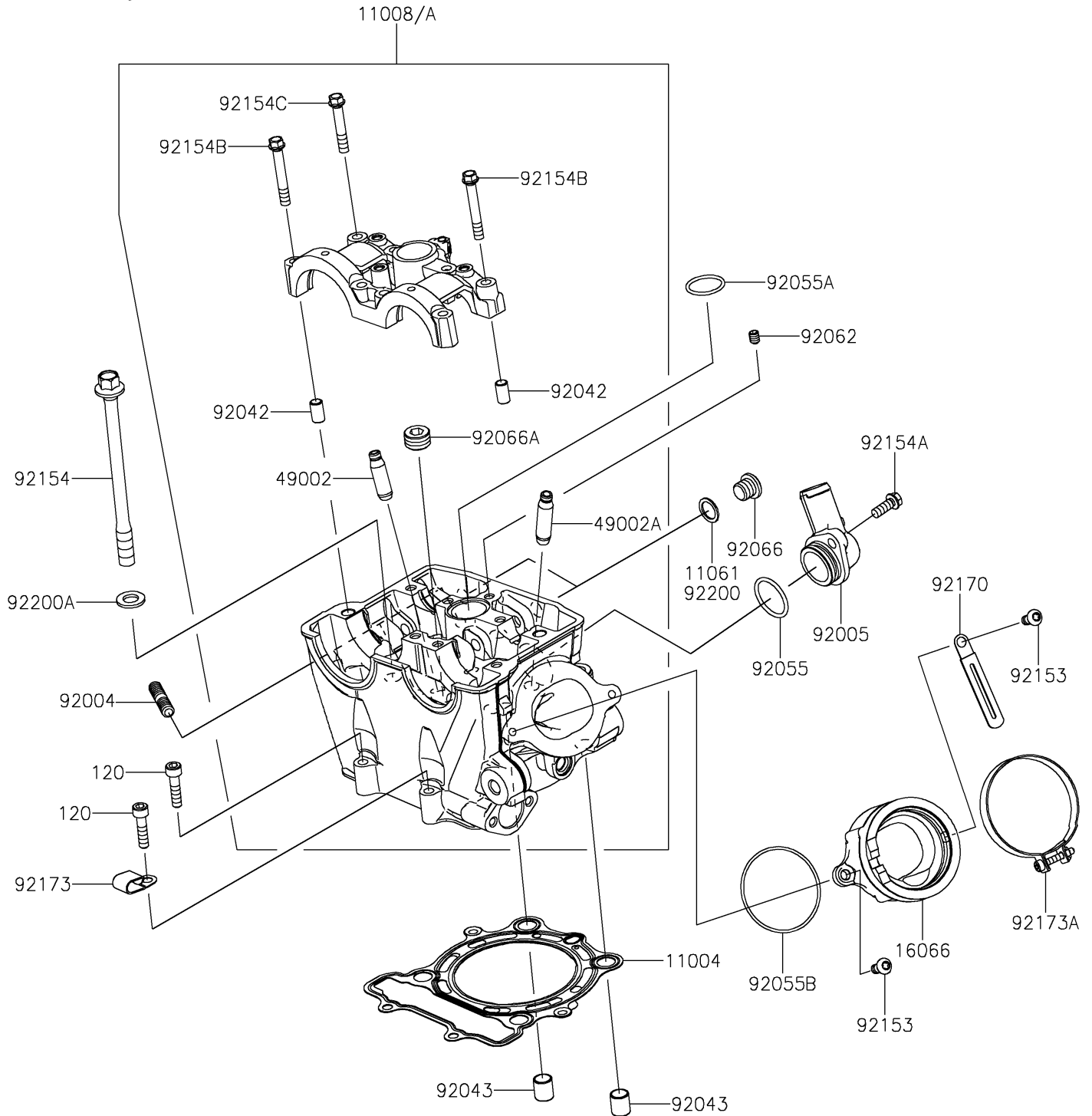


# 2022 KX™ 250 PARTS DIAGRAM

Cylinder Head

E1111



## 2022 KX™ 250 PARTS LIST

### Cylinder Head

ITEM NAME	PART NUMBER	QUANTITY
GASKET-HEAD (Ref # 11004)	11004-0798	1
HEAD-COMP-CYLINDER (Ref # 11008)	11008-0994	1
GASKET,12.5X17X1 (Ref # 11061)	11061-1322	2
HOLDER-THROTTLE BODY (Ref # 16066)	16066-0024	1
GUIDE-VALVE (Ref # 49002)	49002-0003	2
GUIDE-VALVE (Ref # 49002A)	49002-0045	2
STUD,8X22 (Ref # 92004)	92004-0025	2
FITTING (Ref # 92005)	92005-0942	1
PIN,DOWEL,6.3X8X14 (Ref # 92042)	92042-007	2
PIN,10.1X12X14 (Ref # 92043)	92043-4009	2
RING-O,24.7X2.4 (Ref # 92055)	92055-0150	1
RING-O,25X1.9X1.35 (Ref # 92055A)	92055-0729	1
RING-O,53X1.78 (Ref # 92055B)	92055-0939	1
NOZZLE,6X8,YELLOW (Ref # 92062)	92062-1080	1
PLUG (Ref # 92066)	92066-0931	2
PLUG,10X16.6 (Ref # 92066A)	92066-3777	1
BOLT,TORX,6X14 (Ref # 92153)	92153-0406	2
BOLT,FLANGED,10X130 (Ref # 92154)	92154-2104	4
BOLT,FLANGED,6X16 (Ref # 92154A)	92154-2965	1
BOLT,FLANGED,6X42 (Ref # 92154B)	92154-2979	2
BOLT,FLANGED,6X35 (Ref # 92154C)	92154-2983	6
CLAMP (Ref # 92170)	92170-1514	1
CLAMP (Ref # 92173)	92173-1828	1
CLAMP (Ref # 92173A)	92173-2147	1
WASHER,12.5X18X1.6 (Ref # 92200)	92200-0087	2
WASHER,10.2X18.4X1.8 (Ref # 92200A)	92200-1691	4
BOLT-SOCKET,6X35 (Ref # 120)	120CA0635	2